

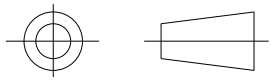
Heatshrinkable moulded shapes bulbous Angled T-Shapes, VG style - HellermannTyton

DRAWING No.  
152045

SHT. 1  
OF  
1 SHTS.

© THE COPYRIGHT OF THIS DRAWING IS RESERVED BY HELLERMANN TYTON. IT IS ISSUED ON CONDITION THAT IT IS NOT COPIED, REPRODUCED OR DISCLOSED TO A THIRD PARTY EITHER WHOLLY OR IN PART WITHOUT THE CONSENT IN WRITING OF HELLERMANN TYTON.

THIRD ANGLE PROJECTION



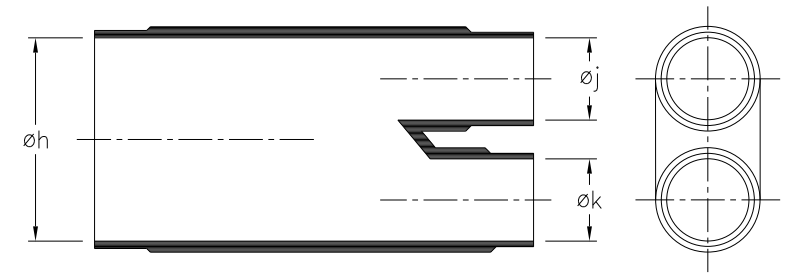
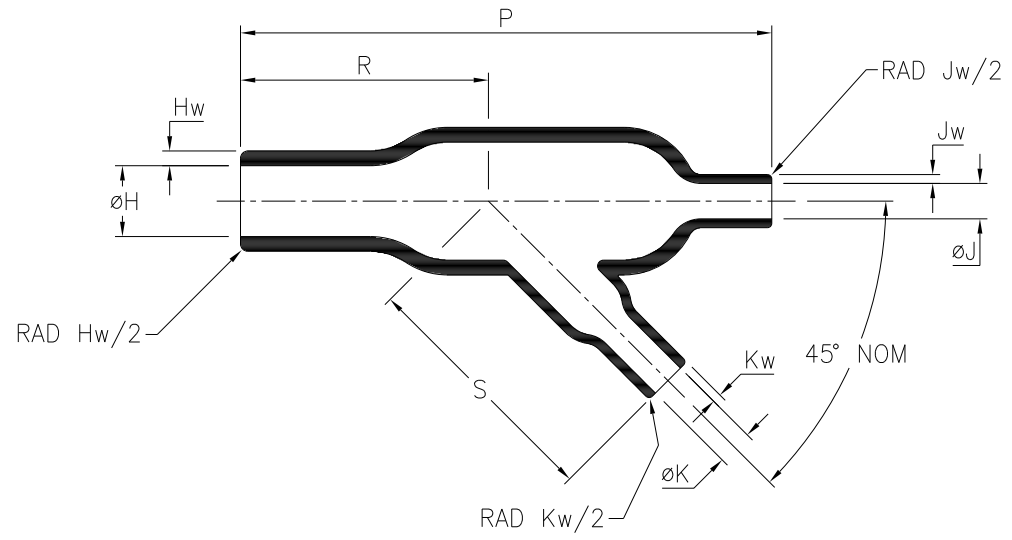
BS 8888

DO NOT SCALE  
IF IN DOUBT ASK

Q.A.	H/S SETT
H/S Q.A.	REL. INSP.
H/S PROD	EXT.ISS.CODE

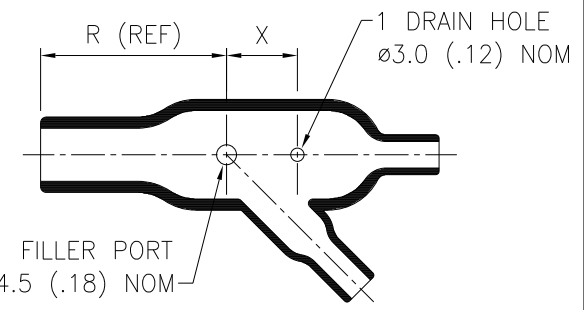
STANDARD PART (AFTER UNRESTRICTED RECOVERY)

EXPANDED (AS SUPPLIED)



30  
20  
10  
0

OPTION TO STANDARD PART  
FILLER PORT (CODE P)



SPEC.	PART NO.	EXPANDED DIAMETERS (AS SUPPLIED)			RECOVERED DIAMETERS			RECOVERED DIMENSIONS					
		$\phi h$	$\phi j$	$\phi k$	$\phi H$	$\phi J$	$\phi K$	P	R	S	H <sub>w</sub>	J <sub>w</sub>	K <sub>w</sub>
		MIN	MIN	MIN	MAX	MAX	MAX	±10%	NOM	NOM	±30%	±30%	±30%
VG 95343 T08B010A	1306-1	13 (.51)	6.5 (.26)	6.5 (.26)	6 (.24)	3 (.12)	3 (.12)	45 (1.77)	23 (.91)	21 (.83)	1.5 (.06)	1 (.04)	1 (.04)
-	1306-2	15.5 (.61)	10.2 (.40)	10.2 (.40)	6 (.24)	3 (.12)	3 (.12)	45 (1.77)	23 (.91)	21 (.83)	1.5 (.06)	1 (.04)	1 (.04)

OPTIONAL FILLER PORT DETAIL		
SPEC.	PART NO.	RECOVERED DIMENSIONS
		X
		NOM
-	1306-1	10 (.39)
-	1306-2	10 (.39)

Heatshrinkable moulded shapes bulbous Angled T-Shapes, VG style - HellermannTyton

For information only, not subject to technical changes.

1	P1187	S.Almond	28/03/08
ISSUE	NOTE No.	DRAWN	DATE

**HellermannTyton**

Pennycross Close, Plymouth, Devon, England  
Tel ++44 (0) 1752 701261 Fax ++44 (0) 1752 790058

NAME	S.Almond	SCALE	NTS
DATE	28/03/08	DIMS IN	mm (in)
TITLE	ANGLED TEE SLEEVE		

ADHESIVE	A3	SHT. 1
	ORIGINAL SHEET SIZE 420mm x 297mm	OF 1 SHTS.
PART No.	1306	DRAWING No.
		152045