

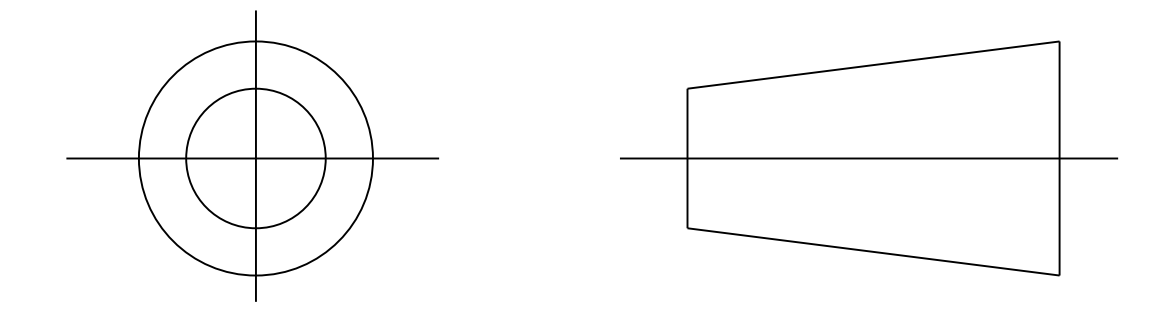
Heatshrinkable Moulded Shapes Convolute Boots HellermannTyton

DRAWING No.
152048

SHT. 1
OF
1 SHTS.

© THE COPYRIGHT OF THIS DRAWING IS RESERVED BY HELLERMANN TYTON. IT IS ISSUED ON CONDITION THAT IT IS NOT COPIED, REPRODUCED OR DISCLOSED TO A THIRD PARTY EITHER WHOLLY OR IN PART WITHOUT THE CONSENT IN WRITING OF HELLERMANN TYTON.

THIRD ANGLE PROJECTION



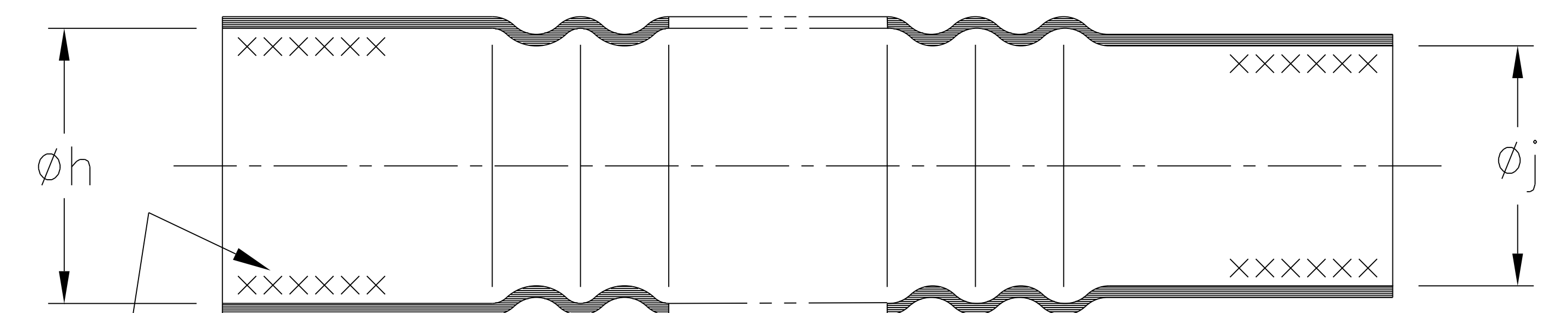
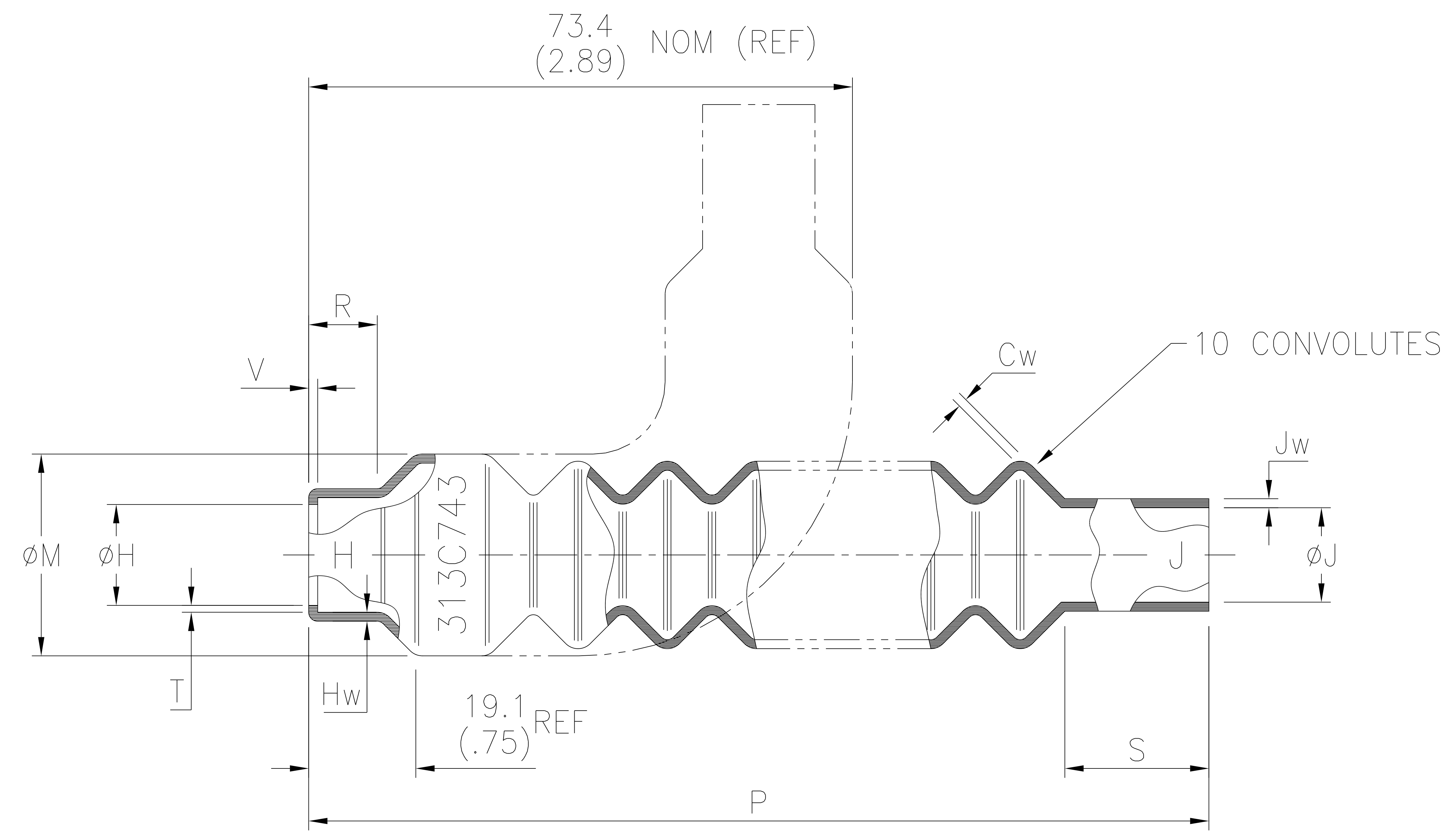
BS 8888

DO NOT SCALE
IF IN DOUBT ASK

Q.A.	H/S SETT
H/S Q.A.	REL. INSP.
H/S PROD	EXT. ISS. CODE

STANDARD PART (AFTER UNRESTRICTED RECOVERY)

EXPANDED (AS SUPPLIED)



ADHESIVE COATING,
EACH END, WHEN SPECIFIED

PART NO.	EXPANDED DIMENSIONS (AS SUPPLIED)		RECOVERED DIAMETERS			RECOVERED DIMENSIONS					
	Øh	Øj	ØH	ØJ	ØM	P	R	S	T	V	Cw,Hw,Jw
	MIN	MIN	MAX	MAX	MAX	±10%	±1.3 (±.05)	±10%	±0.8 (±.03)	±0.8 (±.03)	MIN
313C743-*	34 (1.34)	26.9 (1.06)	17.5 (.69)	12.7 (.50)	32.8 (1.29)	146.1 (5.75)	12.7 (.50)	22.4 (.88)	1.3 (.05)	1.8 (.07)	0.5 (.02)

* ALL MATERIAL CODES

Heatshrinkable Moulded Shapes Convolute Boots HellermannTyton

For information only, not subject to technical changes.

5	P1502	GL	27/04/15
4	P1413	GB	22/05/13
3	P1364	CM	26/10/11
2	P1329	G.B.	11/10/10
1	P1188	S.Almond	02/04/08
ISSUE	NOTE No.	DRAWN	DATE

HellermannTyton
 William Prance Road,
 Plymouth International Med. & Tech. Park,
 Plymouth, PL6 5WR
 Tel ++44 (0) 1752 701261
 Fax ++44 (0) 1752 790058

NAME	S.Almond	SCALE	NTS	ADHESIVE	A3 ORIGINAL SHEET SIZE 420mm x 297mm	SHT. 1 OF 1 SHTS.
DATE	02/04/08	DIMS IN	mm (in)			
TITLE	CONVOLUTED BOOT		PART No.	313C743	DRAWING No.	152048