

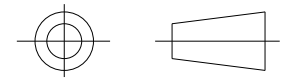
Heatshrinkable moulded shapes Low Profile Transition Boots - HellermannTyton

DRAWING No.
152077

SHT. 1
OF
1 SHTS.

© THE COPYRIGHT OF THIS DRAWING IS RESERVED BY HELLERMANN TYTON. IT IS ISSUED ON CONDITION THAT IT IS NOT COPIED, REPRODUCED OR DISCLOSED TO A THIRD PARTY EITHER WHOLLY OR IN PART WITHOUT THE CONSENT IN WRITING OF HELLERMANN TYTON.

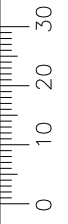
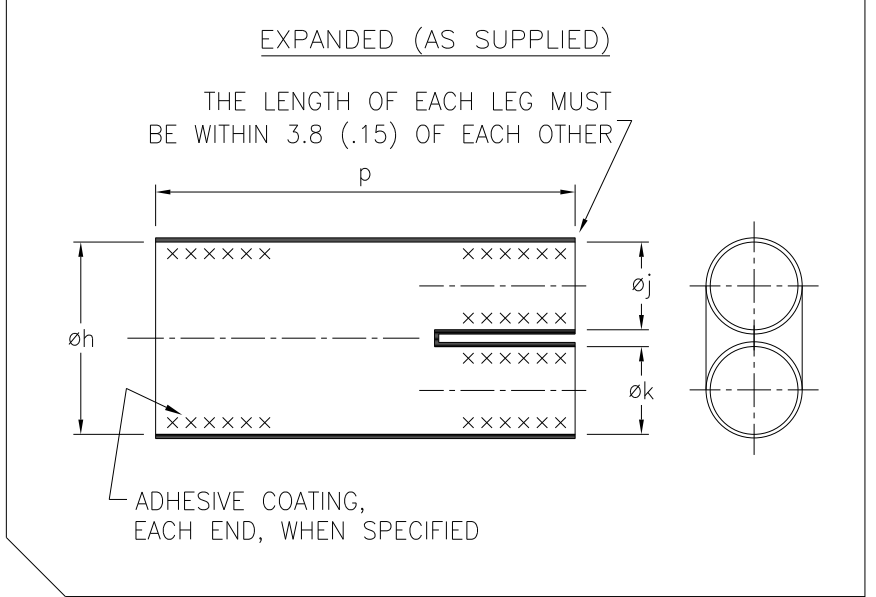
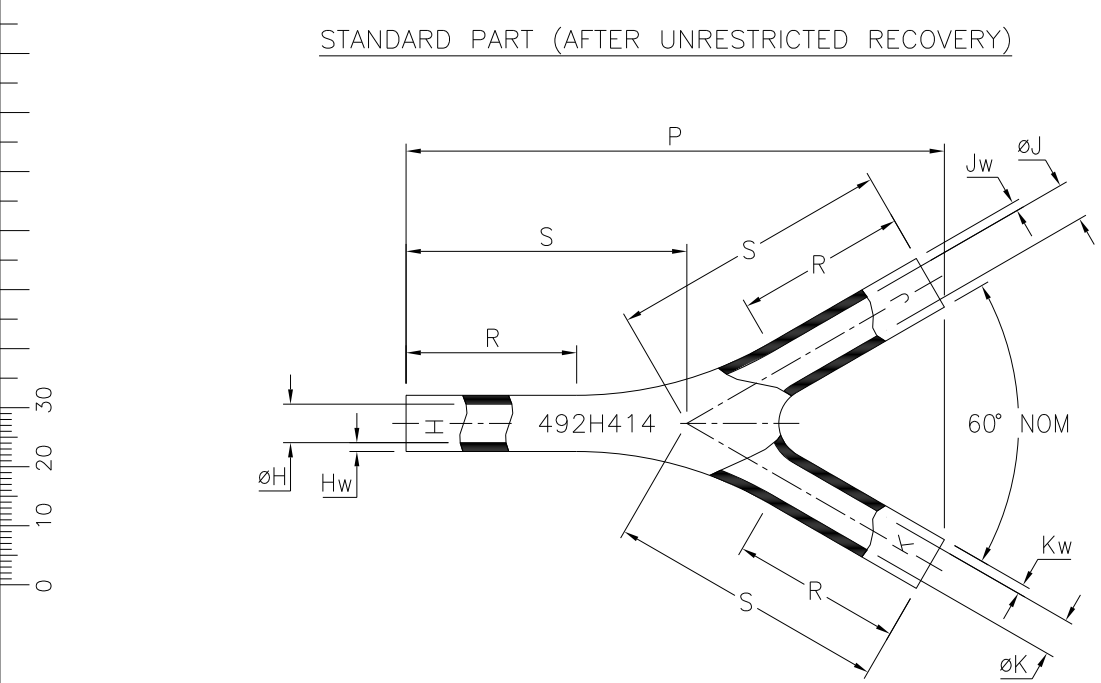
THIRD ANGLE PROJECTION



BS 8888

DO NOT SCALE
IF IN DOUBT ASK

Q.A.	H/S SETT
H/S Q.A.	REL. INSP.
H/S PROD	EXT. ISS. CODE 10



PART NO.	EXPANDED DIMENSIONS (AS SUPPLIED)			RECOVERED DIAMETERS		RECOVERED DIMENSIONS			
	øh	øj,k	p	øH	øJ,K	P	R	S	Hw,Jw,Kw
	MIN	MIN	TOL	MAX	MAX	NOM	±15%	NOM	NOM
492H414-*	60.2 (2.37)	40.1 (1.58)	127 ±12.7 (5.00 ±.50)	20.1 (.79)	20.1 (.79)	184.4 (7.26)	63.5 (2.50)	94.7 (3.73)	1.5 (.06)
492H414-*-01	60.2 (2.37)	40.1 (1.58)	84.3 ±8.9 (3.32 ±.35)	20.1 (.79)	20.1 (.79)	125.2 (4.93)	31.8 (1.25)	63 (2.48)	1.5 (.06)

FOR MOULDING PURPOSES ONLY

MOULD SHAPE	øH	øJ,K	P	R	S	Hw,Jw,Kw
	MAX	MAX	NOM	±3.8 (±.15)	±6.4 (±.25)	±20%
492H414-*	17.5 (.69)	17.5 (.69)	184.4 (7.26)	63.5 (2.50)	94.7 (3.73)	1.8 (.07)
492H414-*-01	17.5	17.5	125.2	31.8	63	1.8

* ALL MATERIAL CODES

Heatshrinkable moulded shapes Low Profile Transition Boots - HellermannTyton

For information only, not subject to technical changes.

2	P1304	DNH	09/02/10
1	P1193	S.Almond	03/04/08
ISSUE	NOTE No.	DRAWN	DATE

HellermannTyton

Pennycross Close, Plymouth, Devon, England
Tel ++44 (0) 1752 701201 Fax ++44 (0) 1752 790058

NAME	S.Almond	SCALE	NTS	ADHESIVE	A3 ORIGINAL SHEET SIZE 420mm x 297mm	SHT. 1 OF 1 SHTS.
DATE	03/04/08	DIMS IN	mm (in)			
TITLE	TRANSITION 2 TO 1			PART No.	DRAWING No.	
				492H414	152077	