

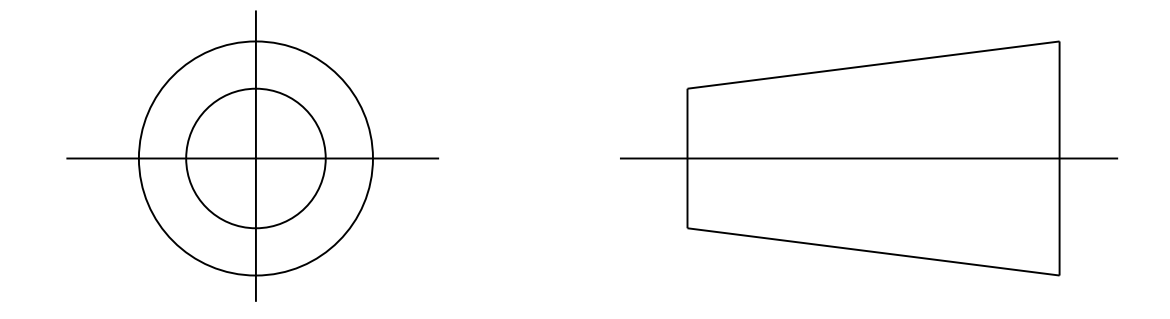
Heatshrinkable Moulded Shapes Bulbous Straight Boots HellermannTyton

DRAWING No.  
152083

SHT. 1  
OF  
1 SHTS.

© THE COPYRIGHT OF THIS DRAWING IS RESERVED BY HELLERMANN TYTON. IT IS ISSUED ON CONDITION THAT IT IS NOT COPIED, REPRODUCED OR DISCLOSED TO A THIRD PARTY EITHER WHOLLY OR IN PART WITHOUT THE CONSENT IN WRITING OF HELLERMANN TYTON.

THIRD ANGLE PROJECTION

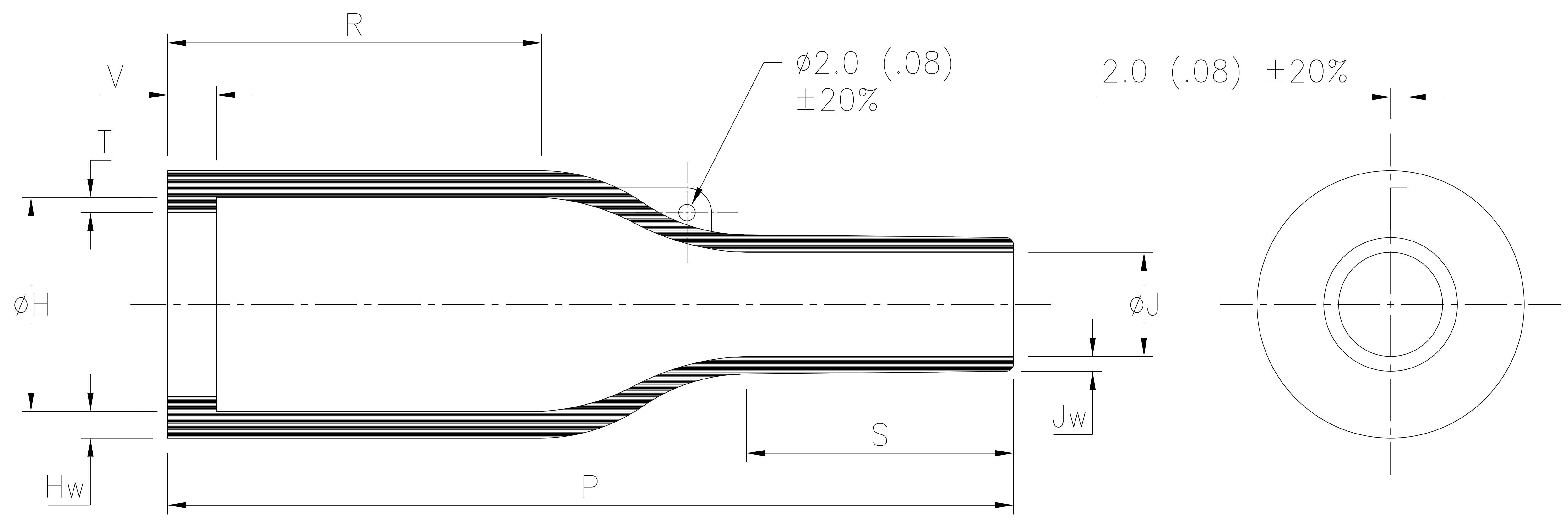


BS 8888

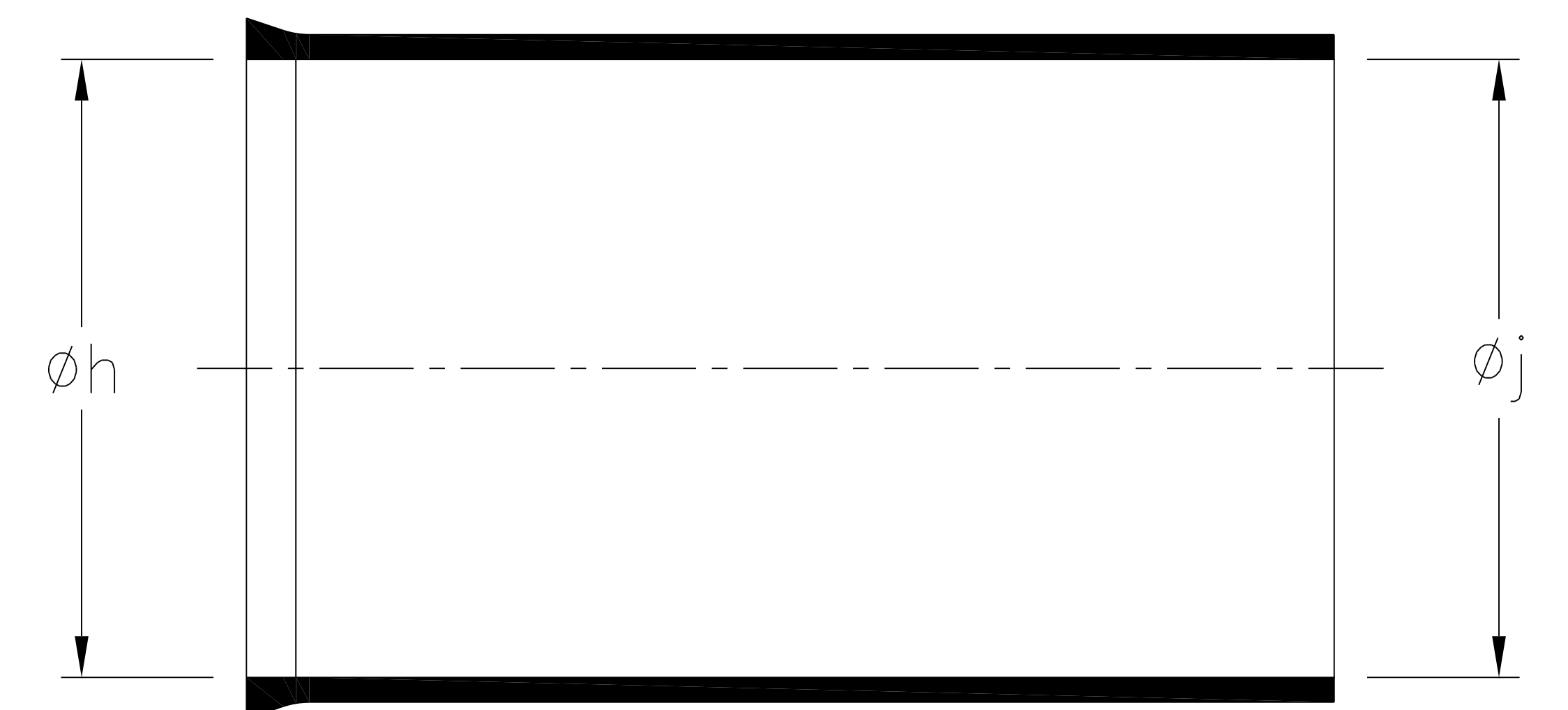
DO NOT SCALE  
IF IN DOUBT ASK

Q.A.	H/S SETT
H/S Q.A.	REL. INSP.
H/S PROD	EXT.ISS.CODE

STANDARD PART (AFTER UNRESTRICTED RECOVERY)



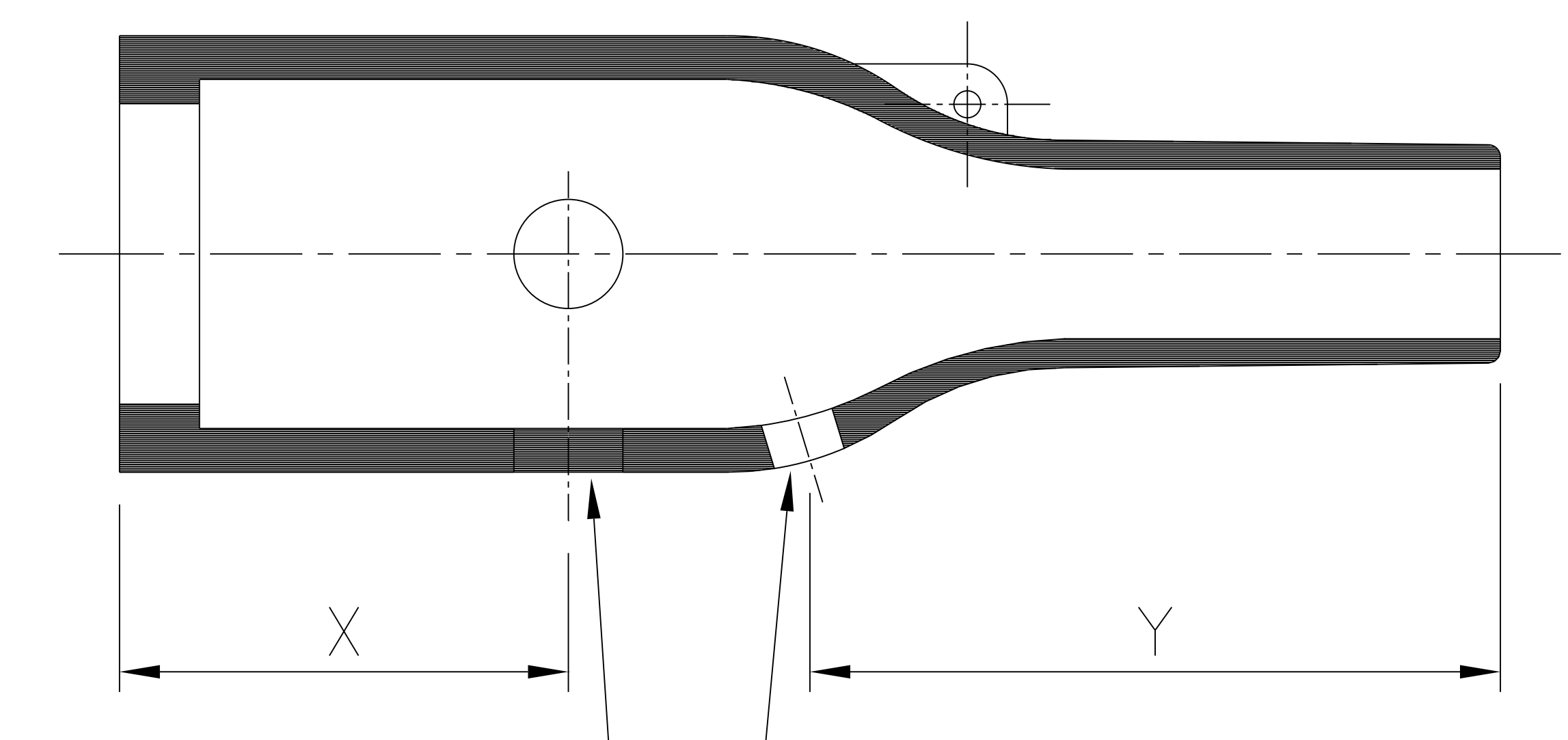
EXPANDED (AS SUPPLIED)



OPTION TO STANDARD PART  
FILLER PORT (CODE P)

SPEC.	PART No.	EXPANDED DIAMETERS (AS SUPPLIED)		RECOVERED DIAMETERS		RECOVERED DIMENSIONS						
		∅h	∅j	∅H	∅J	P	R	S	T	V	Hw	Jw
		MIN	MIN	MAX	MAX	±10%	NOM	NOM	±20%	MAX	±20%	±30%
VG 95343 T06A001A	152-41	24 (.94)	24 (.94)	10.5 (.41)	6 (.24)	26 (1.02)	9 (.35)	10 (.39)	1.0 (.04)	3.3 (.13)	1.6 (.06)	1.0 (.04)
VG 95343 T06B001A	152-42	24 (.94)	24 (.94)	10.5 (.41)	6 (.24)	38 (1.50)	21 (.83)	10 (.39)	1.0 (.04)	3.3 (.13)	1.6 (.06)	1.0 (.04)
-	152-52	24 (.94)	12 (.47)	10.5 (.41)	6 (.24)	38 (1.50)	21 (.83)	10 (.39)	1.0 (.04)	3.3 (.13)	1.6 (.06)	1.0 (.04)
VG 95343 T29A001A	152-61	24 (.94)	14 (.55)	10.5 (.41)	6 (.24)	26 (1.02)	9 (.35)	10 (.39)	1.0 (.04)	3.3 (.13)	1.6 (.06)	1.0 (.04)
VG 95343 T29B001A	152-62	24 (.94)	14 (.55)	10.5 (.41)	6 (.24)	38 (1.50)	21 (.83)	10 (.39)	1.0 (.04)	3.3 (.13)	1.6 (.06)	1.0 (.04)

OPTIONAL FILLER PORT DETAIL			
SPEC.	PART No.	RECOVERED DIMENSIONS	
		X	Y
		±20%	±20%
VG 95343 T07A001A	152-41	12 (.47)	13 (.51)
VG 95343 T07B001A	152-42	19 (.75)	24 (.94)
-	152-52	19 (.75)	24 (.94)
-	152-61	12 (.47)	13 (.51)
-	152-62	19 (.75)	24 (.94)



1 FILLER PORT  
∅4.5 NOM (.18)

1 DRAIN HOLE  
∅3.0 NOM (.12)

FILLER PORT AND DRAIN HOLE  
STAGGERED BY 90° ±20°

Heatshrinkable Moulded Shapes Bulbous Straight Boots HellermannTyton

For information only, not subject to technical changes.

6	P1499	GL	24/02/15
5	P1358	JFR	09/09/11
4	P1329	G.B.	11/10/10
3	P1246	G.B.	08/12/08
2	P1244	G.B.	19/11/08
ISSUE	NOTE No.	DRAWN	DATE

**HellermannTyton**

William Prance Road,  
Plymouth International Med. & Tech. Park,  
Plymouth, PL6 5WR

Tel ++44 (0) 1752 701261  
Fax ++44 (0) 1752 790058

NAME	S.Almond	SCALE	NTS
DATE	14/04/08	DIMS IN	mm (in)
TITLE	BOTTLE SLEEVE		

ADHESIVE	A3	SHT. 1
	ORIGINAL SHEET SIZE 420mm x 297mm	OF 1 SHTS.
PART No.	152	DRAWING No.
		152083