

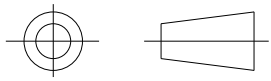
Heatshrinkable moulded shapes bulbous Bottle Shapes, VG-Style - HellermannTyton

DRAWING No.
152089

SHT. 1
OF
1 SHTS.

© THE COPYRIGHT OF THIS DRAWING IS RESERVED BY HELLERMANN TYTON. IT IS ISSUED ON CONDITION THAT IT IS NOT COPIED, REPRODUCED OR DISCLOSED TO A THIRD PARTY EITHER WHOLLY OR IN PART WITHOUT THE CONSENT IN WRITING OF HELLERMANN TYTON.

THIRD ANGLE PROJECTION

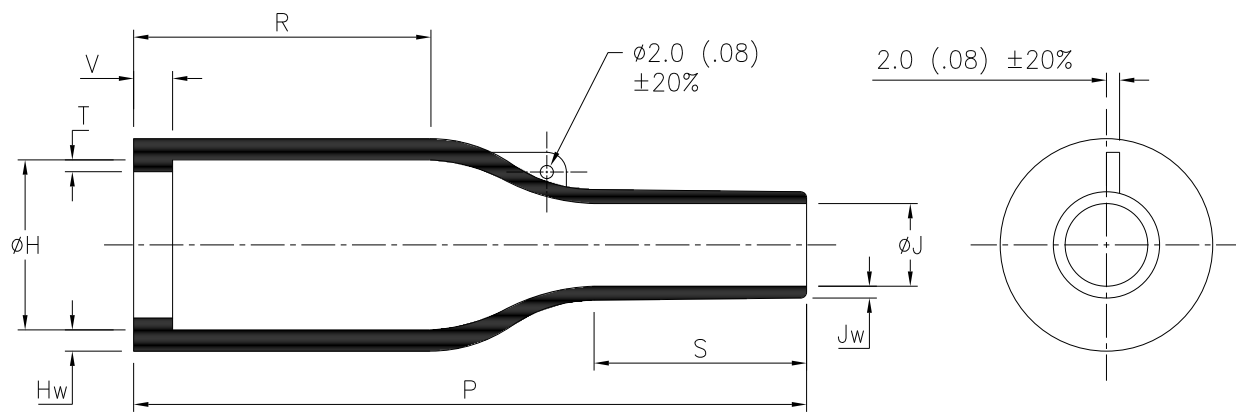


BS 8888

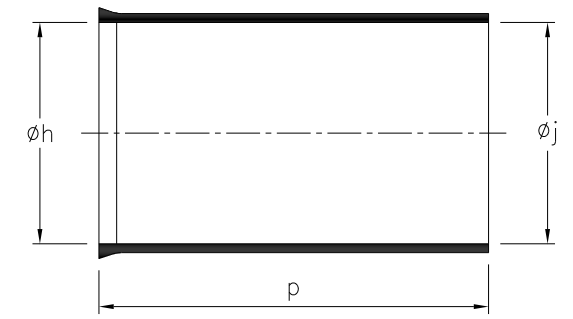
DO NOT SCALE
IF IN DOUBT ASK

Q.A.	H/S SETT
H/S Q.A.	REL. INSP.
H/S PROD	EXT.ISS.CODE

STANDARD PART (AFTER UNRESTRICTED RECOVERY)



EXPANDED (AS SUPPLIED)

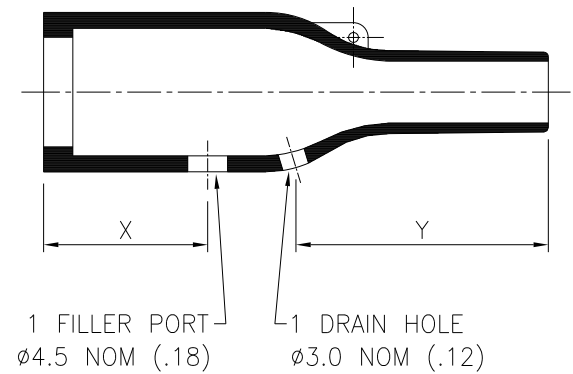


SPEC.	PART No.	EXPANDED DIMENSIONS (AS SUPPLIED)			RECOVERED DIAMETERS		RECOVERED DIMENSIONS						
		øh	øj	p	øH	øJ	P	R	S	T	V	Hw	Jw
		MIN	MIN	TOL	MAX	MAX	±10%	NOM	NOM	±20%	MAX	±20%	±30%
VG 95343 T06A007A	158-41	60 (2.36)	60 (2.36)	N/A	35 (1.38)	16 (.63)	90 (3.54)	32 (1.26)	38 (1.50)	1.7 (.07)	3.3 (.13)	3.2 (.13)	1.5 (.06)
VG 95343 T06B007A	158-42	60 (2.36)	60 (2.36)	N/A	35 (1.38)	16 (.63)	110 (4.33)	52 (2.05)	38 (1.50)	1.7 (.07)	3.3 (.13)	3.2 (.13)	1.5 (.06)
VG 95343 T06C002A	158-43	60 (2.36)	60 (2.36)	N/A	35 (1.38)	16 (.63)	130 (5.12)	72 (2.83)	38 (1.50)	1.7 (.07)	3.3 (.13)	3.2 (.13)	1.5 (.06)
VG 95343 T29C002A	158-63	60 (2.36)	39 (1.54)	N/A	35 (1.38)	16 (.63)	130 (5.12)	72 (2.83)	38 (1.50)	1.7 (.07)	3.3 (.13)	3.2 (.13)	1.5 (.06)
-	158-79	60 (2.36)	60 (2.36)	65±5 (2.56±.20)	35 (1.38)	16 (.63)	90 (3.54)	32 (1.26)	38 (1.50)	1.7 (.07)	3.3 (.13)	3.2 (.13)	1.5 (.06)

OPTIONAL FILLER PORT DETAIL

SPEC.	PART No.	RECOVERED DIMENSIONS	
		X	Y
		±20%	±20%
VG 95343 T07A007A	158-41	12 (.47)	50 (1.97)
VG 95343 T07B007A	158-42	32 (1.26)	50 (1.97)
VG 95343 T07C002A	158-43	52 (2.05)	50 (1.97)
-	158-63	52 (2.05)	50 (1.97)
-	158-79	12 (.47)	50 (1.97)

OPTION TO STANDARD PART FILLER PORT (CODE P)



Heatshrinkable moulded shapes bulbous Bottle Shapes, VG-Style - HellermannTyton

For information only, not subject to technical changes.

3	P1333	G.Baser	08/12/10
2	P1292	G.Baser	02/09/09
1	P1195	S.Almond	14/04/08
ISSUE	NOTE No.	DRAWN	DATE

HellermannTyton

Pennycross Close, Plymouth, Devon, England
Tel ++44 (0) 1752 701261 Fax ++44 (0) 1752 790058

NAME	S.Almond	SCALE	NTS	ADHESIVE	A3	SHT. 1
DATE	14/04/08	DIMS IN	mm (in)		ORIGINAL SHEET SIZE 420mm x 297mm	OF 1 SHTS.
TITLE	BOTTLE SLEEVE		PART No.	158	DRAWING No. 152089	