

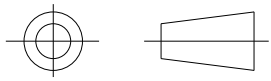
Heatshrinkable moulded shapes bulbous Bottle Shapes, VG-Style - HellermannTyton

DRAWING No.
152091

SHT. 1
OF
1 SHTS.

© THE COPYRIGHT OF THIS DRAWING IS RESERVED BY HELLERMANN TYTON. IT IS ISSUED ON CONDITION THAT IT IS NOT COPIED, REPRODUCED OR DISCLOSED TO A THIRD PARTY EITHER WHOLLY OR IN PART WITHOUT THE CONSENT IN WRITING OF HELLERMANN TYTON.

THIRD ANGLE PROJECTION

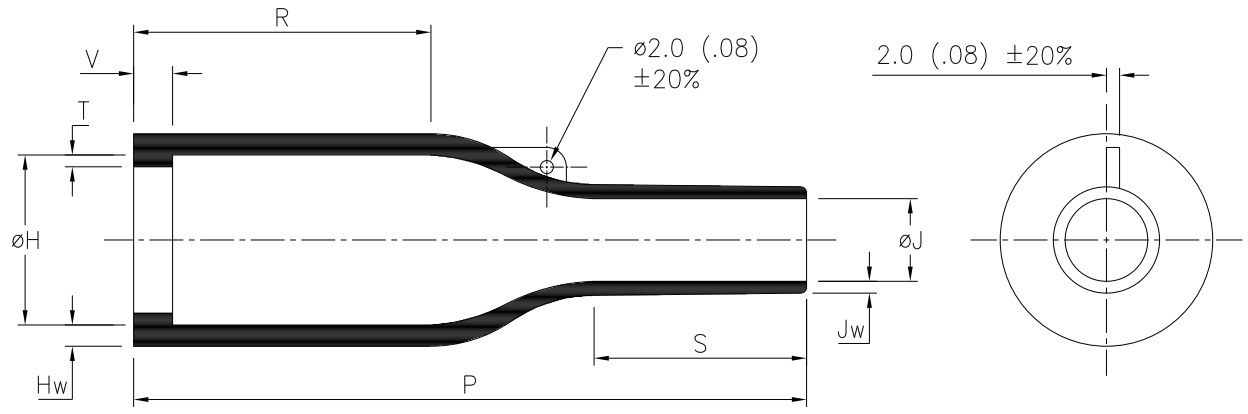


BS 8888

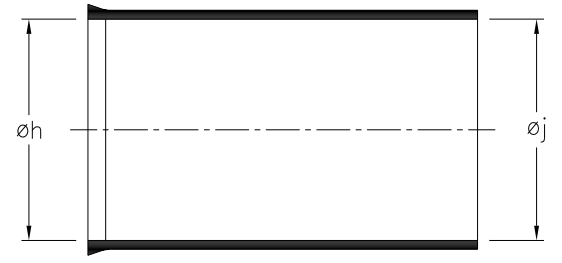
DO NOT SCALE
IF IN DOUBT ASK

Q.A.	H/S SETT
H/S Q.A.	REL. INSP.
H/S PROD	EXT.ISS.CODE

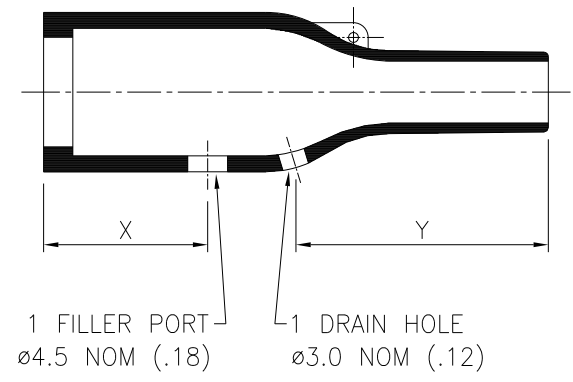
STANDARD PART (AFTER UNRESTRICTED RECOVERY)



EXPANDED (AS SUPPLIED)



OPTION TO STANDARD PART
FILLER PORT (CODE P)



SPEC.	PART No.	EXPANDED DIAMETERS (AS SUPPLIED)		RECOVERED DIAMETERS		RECOVERED DIMENSIONS						
		øh	øj	øH	øJ	P	R	S	T	V	Hw	Jw
		MIN	MIN	MAX	MAX	±10%	NOM	NOM	±20%	MAX	±20%	±30%
VG 95343 T06A009A	160-41	82 (3.23)	82 (3.23)	58 (2.28)	27 (1.06)	137 (5.39)	37 (1.46)	62 (2.44)	2.0 (.08)	3.3 (.13)	3.8 (.15)	3.8 (.15)
VG 95343 T06B009A	160-42	82 (3.23)	82 (3.23)	58 (2.28)	27 (1.06)	158 (6.22)	58 (2.28)	62 (2.44)	2.0 (.08)	3.3 (.13)	3.8 (.15)	3.8 (.15)
VG 95343 T06C004A	160-43	82 (3.23)	82 (3.23)	58 (2.28)	27 (1.06)	213 (8.39)	113 (4.45)	62 (2.44)	2.0 (.08)	3.3 (.13)	3.8 (.15)	3.8 (.15)

OPTIONAL FILLER PORT DETAIL			
SPEC.	PART No.	RECOVERED DIMENSIONS	
		X	Y
		±20%	±20%
VG 95343 T07A009A	160-41	12 (.47)	73 (2.87)
VG 95343 T07B009A	160-42	32 (1.26)	73 (2.87)
VG 95343 T07C004A	160-43	87 (3.42)	73 (2.87)

Heatshrinkable moulded shapes bulbous Bottle Shapes, VG-Style - HellermannTyton

For information only, not subject to technical changes.

1	P1195	S.Almond	14/04/08
ISSUE	NOTE No.	DRAWN	DATE

HellermannTyton

Pennycross Close, Plymouth, Devon, England
Tel ++44 (0) 1752 701201 Fax ++44 (0) 1752 790058

NAME	S.Almond	SCALE	NTS	ADHESIVE	A3 ORIGINAL SHEET SIZE 420mm x 297mm	SHT. 1 OF 1 SHTS.
DATE	14/04/08	DIMS IN	mm (in)			
TITLE	BOTTLE SLEEVE			PART No.	DRAWING No.	
				160	152091	