

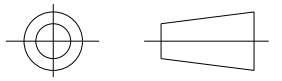
Heatshrinkable moulded shapes bulbous Right-Angle Shapes, VG style - HellermannTyton

DRAWING No.  
152098

SHT. 1  
OF  
1 SHTS.

© THE COPYRIGHT OF THIS DRAWING IS RESERVED BY HELLERMANN TYTON. IT IS ISSUED ON CONDITION THAT IT IS NOT COPIED, REPRODUCED OR DISCLOSED TO A THIRD PARTY EITHER WHOLLY OR IN PART WITHOUT THE CONSENT IN WRITING OF HELLERMANN TYTON.

THIRD ANGLE PROJECTION

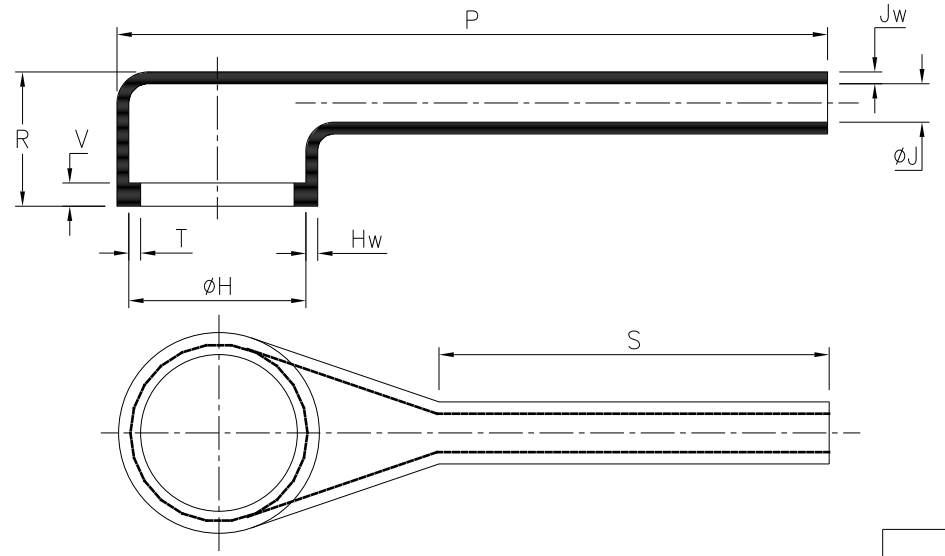


BS 8888

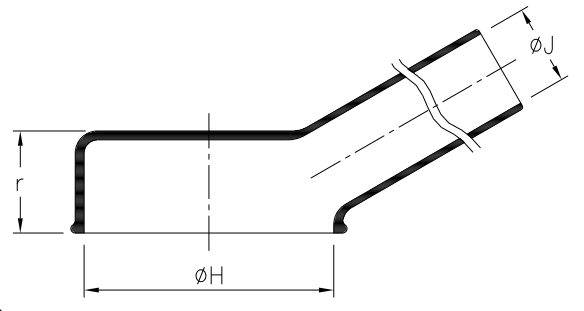
DO NOT SCALE  
IF IN DOUBT ASK

Q.A.	H/S SETT
H/S Q.A.	REL. INSP.
H/S PROD	EXT.ISS.CODE

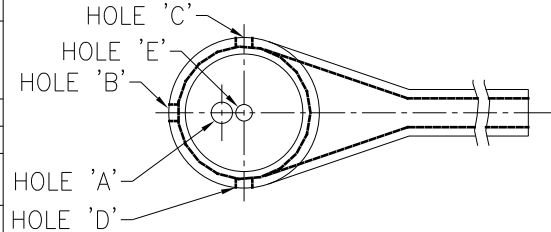
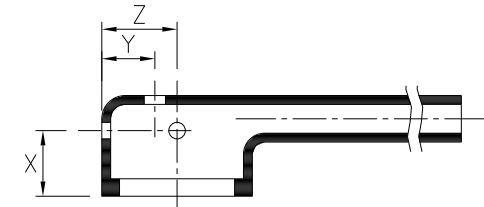
STANDARD PART (AFTER UNRESTRICTED RECOVERY)



EXPANDED (AS SUPPLIED)



OPTIONS TO STANDARD PART  
FILLER PORT HOLES (CODES P, P1 and D)



SPEC.	PART NO.	EXPANDED DIAMETERS (AS SUPPLIED)			RECOVERED DIAMETERS		RECOVERED DIMENSIONS						
		øh	øj	r	øH	øJ	P	R	S	T	V	Hw	Jw
		MIN	MIN	MIN	MAX	MAX	±10%	±10%	NOM	±20%	MAX	±20%	±30%
VG 95343 T06F013A	1135-1	34 (1.34)	9.5 (.37)	-	26 (1.02)	3.0 (.12)	81 (3.19)	19 (.75)	36 (1.42)	1.0 (.04)	3.3 (.13)	1.8 (.07)	1.1 (.04)
-	1135-2	34 (1.34)	9.5 (.37)	-	26 (1.02)	3.0 (.12)	55.1 (2.17)	19 (.75)	9.1 (.36)	1.0 (.04)	3.3 (.13)	1.8 (.07)	1.1 (.04)
-	1135-3	36 (1.34)	11 (.37)	15 (.59)	26 (1.02)	3.0 (.12)	81 (3.19)	19 (.75)	36 (1.42)	1.0 (.04)	3.3 (.13)	1.8 (.07)	1.1 (.04)
-	1135-5*	34 (1.34)	9.5 (.37)	-	26 (1.02)	3.0 (.12)	81 (3.19)	16 (.63)	36 (1.42)	-	-	1.8 (.07)	1.1 (.04)
-	1135-7	34 (1.34)	9.5 (.37)	-	26 (1.02)	3.0 (.12)	65 (2.56)	19 (.75)	20 (0.79)	1.0 (.04)	3.3 (.13)	1.8 (.07)	1.1 (.04)

OPTIONAL FILLER PORT/DRAIN HOLES DETAIL				
SPEC.	PART NO.	RECOVERED DIMENSIONS		
		X	Y	Z
		±20%	±20%	±20%
-	1135-1	14 (.55)	11 (.43)	14 (.55)
-	1135-2	14 (.55)	11 (.43)	14 (.55)
-	1135-3	14 (.55)	11 (.43)	14 (.55)
-	1135-5*	-	-	-
-	1135-7	14 (.55)	11 (.43)	14 (.55)

CODE & TYPE	RECOVERED HOLE DETAILS
P	FILLER PORT HOLES 'A' & 'B' 'A' ø4.5mm NOM (.18) 'B' ø3.0mm NOM (.12)
P1	FILLER PORT (ALT) HOLE 'A' ONLY 'A' ø4.5mm NOM (.18)
D	DRAIN HOLES HOLES 'B', 'C', 'D', 'E' ALL ø3.0mm NOM (.12)

Heatshrinkable moulded shapes bulbous Right-Angle Shapes, VG style - HellermannTyton

For information only, not subject to technical changes.

3	P1322	G.B.	10/09/10
2	P1268	L.F.	27/03/09
1	P1197	S.Almond	17/04/08
ISSUE	NOTE No.	DRAWN	DATE

**HellermannTyton**

Pennycross Close, Plymouth, Devon, England  
Tel ++44 (0) 1752 701261 Fax ++44 (0) 1752 790058

NAME	S.Almond	SCALE	NTS
DATE	17/04/08	DIMS IN	mm (in)

ADHESIVE	A3	SHT. 1
	ORIGINAL SHEET SIZE 420mm x 297mm	OF 1 SHTS.

TITLE	PART No.	DRAWING No.
RIGHT ANGLE BOOT	1135	152098