

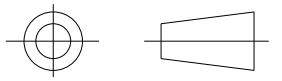
Heatshrinkable moulded shapes bulbous Right-Angle Shapes, VG style - HellermannTyton

DRAWING No.
152107

SHT. 1
OF
1 SHTS.

© THE COPYRIGHT OF THIS DRAWING IS RESERVED BY HELLERMANN TYTON. IT IS ISSUED ON CONDITION THAT IT IS NOT COPIED, REPRODUCED OR DISCLOSED TO A THIRD PARTY EITHER WHOLLY OR IN PART WITHOUT THE CONSENT IN WRITING OF HELLERMANN TYTON.

THIRD ANGLE PROJECTION

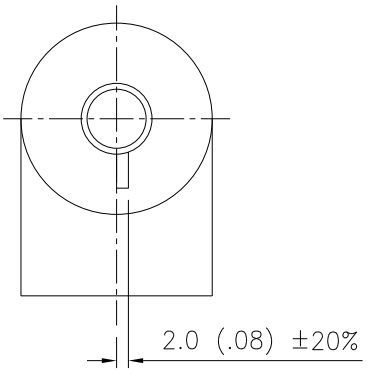
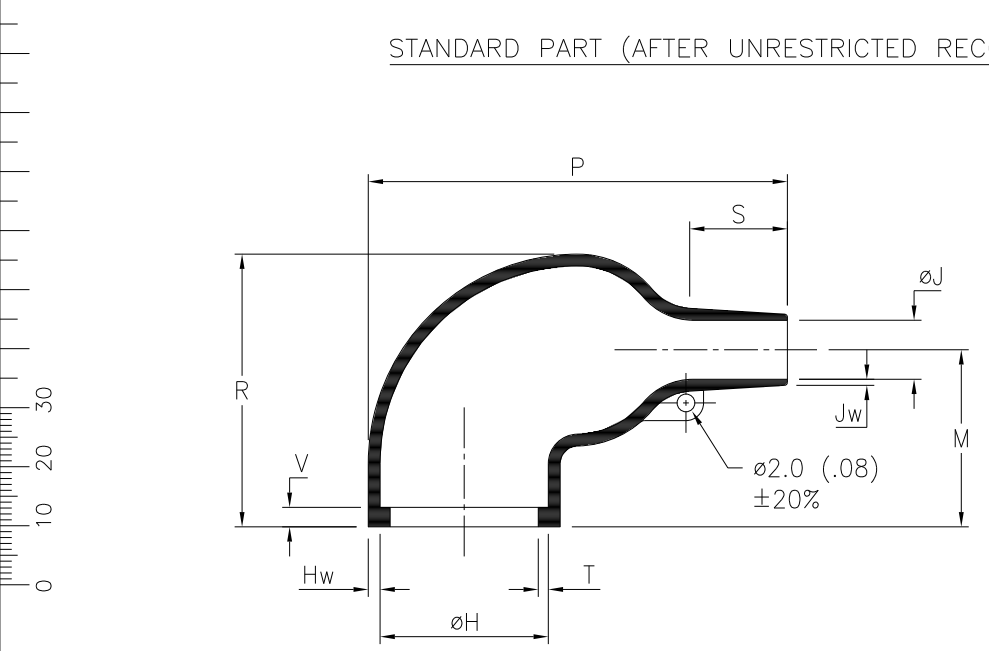


BS 8888

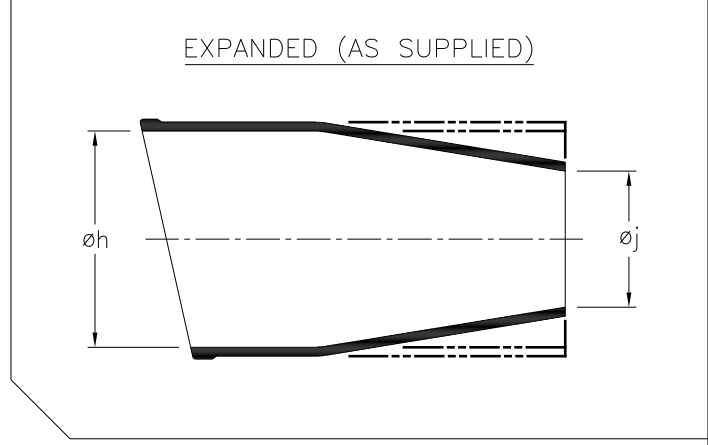
DO NOT SCALE
IF IN DOUBT ASK

Q.A.	H/S SETT
H/S Q.A.	REL. INSP.
H/S PROD	EXT.ISS.CODE

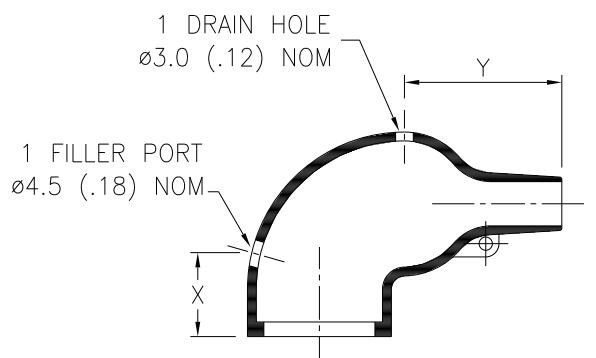
STANDARD PART (AFTER UNRESTRICTED RECOVERY)



EXPANDED (AS SUPPLIED)



OPTION TO STANDARD PART
FILLER PORT (CODE P)



SPEC.	PART No.	EXPANDED DIAMETERS (AS SUPPLIED)		RECOVERED DIAMETERS		RECOVERED DIMENSIONS							
		øh	øj	øH	øJ	M	P	R	S	T	V	Hw	Jw
		MIN	MIN	MAX	MAX	NOM	±20%	±10%	NOM	±20%	MAX	±20%	±30%
VG 95343 T06E008A	1160-4	82 (3.23)	82 (3.23)	61 (2.40)	25 (.98)	52 (2.05)	152 (5.98)	84 (3.31)	39 (1.54)	2.0 (.08)	3.3 (.13)	4.0 (.16)	4.0 (.16)

OPTIONAL FILLER PORT DETAIL			
SPEC.	PART No.	RECOVERED DIMENSIONS	
		X	Y
		±20%	±20%
VG 95343 T07E008A	1160-4	25 (.98)	80 (3.15)

Heatshrinkable moulded shapes bulbous Right-Angle Shapes, VG style - HellermannTyton

For information only, not subject to technical changes.

1	P1198	S.Almond	18/04/08
ISSUE	NOTE No.	DRAWN	DATE

HellermannTyton

Pennycross Close, Plymouth, Devon, England
Tel ++44 (0) 1752 701201 Fax ++44 (0) 1752 790058

NAME	S.Almond	SCALE	NTS	ADHESIVE	A3 ORIGINAL SHEET SIZE 420mm x 297mm	SHT. 1 OF 1 SHTS.
DATE	18/04/08	DIMS IN	mm (in)			
TITLE	RT. ANGLE SLEEVE		PART No.	1160	DRAWING No.	152107