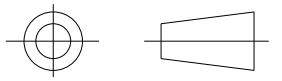


DRAWING No.
152146

SHT. 1
OF
1 SHTS.

© THE COPYRIGHT OF THIS DRAWING IS RESERVED BY HELLERMANN TYTON. IT IS ISSUED ON CONDITION THAT IT IS NOT COPIED, REPRODUCED OR DISCLOSED TO A THIRD PARTY EITHER WHOLLY OR IN PART WITHOUT THE CONSENT IN WRITING OF HELLERMANN TYTON.

THIRD ANGLE PROJECTION

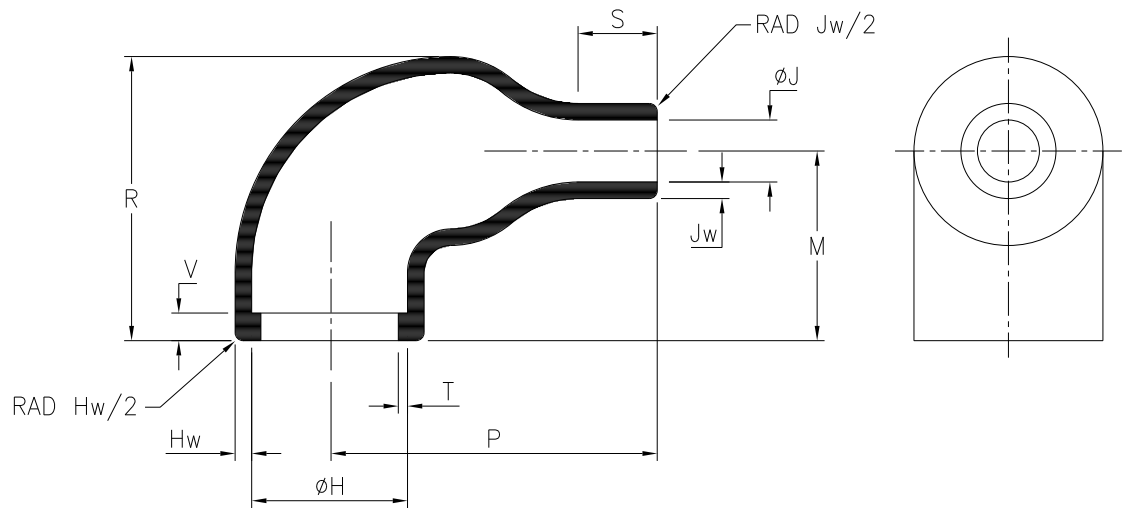


BS 8888

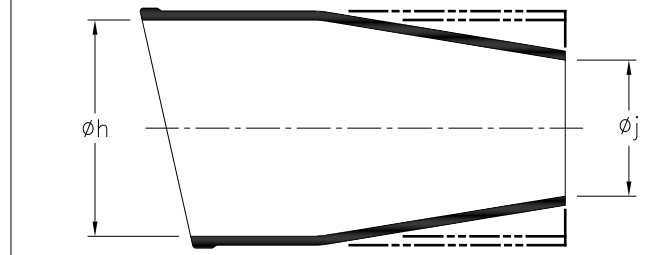
DO NOT SCALE
IF IN DOUBT ASK

Q.A.	H/S SETT
H/S Q.A.	REL. INSP.
H/S PROD	EXT.ISS.CODE 7

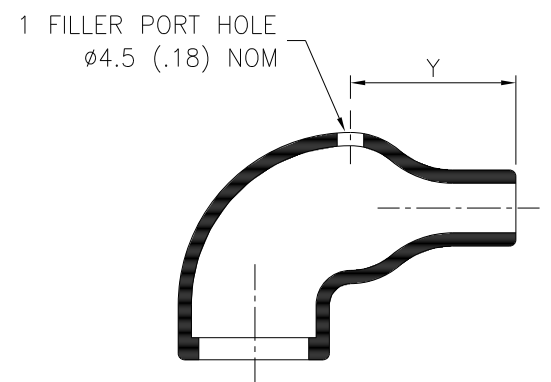
STANDARD PART (AFTER UNRESTRICTED RECOVERY)



EXPANDED (AS SUPPLIED)



OPTION TO STANDARD PART
FILLER PORT (CODE P1)



PART No.	EXPANDED DIAMETERS (AS SUPPLIED)		RECOVERED DIAMETERS		RECOVERED DIMENSIONS							
	Øh	Øj	ØH	ØJ	M	P	R	S	T	V	Hw	Jw
	MIN	MIN	MAX	MAX	NOM	±10%	±10%	NOM	±20%	MAX	±20%	±30%
1108-4	16.5 (.65)	16.5 (.65)	7.9 (.31)	2.5 (.10)	15.2 (.60)	18.3 (.72)	20.1 (.79)	5.1 (.20)	1.0 (.04)	3.3 (.13)	1.0 (.04)	1.6 (.06)
1108-5	16.5 (.65)	7.6 (.30)	7.9 (.31)	2.5 (.10)	15.2 (.60)	18.3 (.72)	20.1 (.79)	5.1 (.20)	1.0 (.04)	3.3 (.13)	1.0 (.04)	1.6 (.06)

OPTIONAL FILLER PORT DETAIL	
PART No.	RECOVERED DIMENSIONS
	Y
±20%	
1108-4	10 (.39)
1108-5	10 (.39)

2	P1329	G.B.	11/10/10
1	P1201	S.Almond	28/05/08
ISSUE	NOTE No.	DRAWN	DATE

HellermannTyton

Pennycross Close, Plymouth, Devon, England
Tel ++44 (0) 1752 701201 Fax ++44 (0) 1752 790058

NAME	S.Almond	SCALE	NTS	ADHESIVE	A3	SHT. 1
DATE	28/05/08	DIMS IN	mm (in)		ORIGINAL SHEET SIZE 420mm x 297mm	OF 1 SHTS.
TITLE	RT. ANGLE SLEEVE (RIBBED)		PART No.	DRAWING No.		
			1108	152146		