

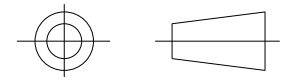
Heatshrinkable moulded shapes bulbous End Caps - HellermannTyton

DRAWING No.
152164

SHT. 1
OF
SHTS.

© THE COPYRIGHT OF THIS DRAWING IS RESERVED BY HELLERMANN TYTON. IT IS ISSUED ON CONDITION THAT IT IS NOT COPIED, REPRODUCED OR DISCLOSED TO A THIRD PARTY EITHER WHOLLY OR IN PART WITHOUT THE CONSENT IN WRITING OF HELLERMANN TYTON

THIRD ANGLE PROJECTION

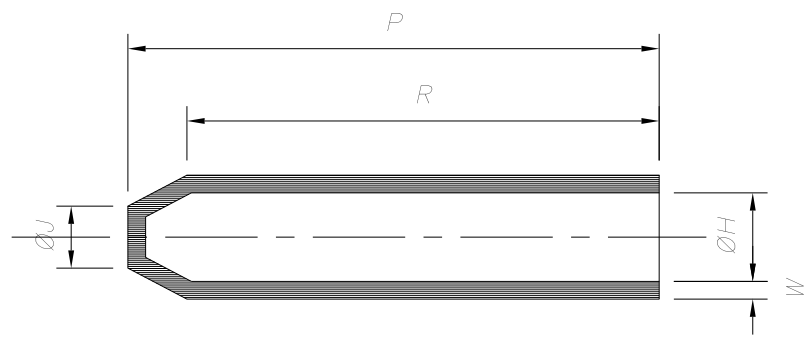


BS 8888

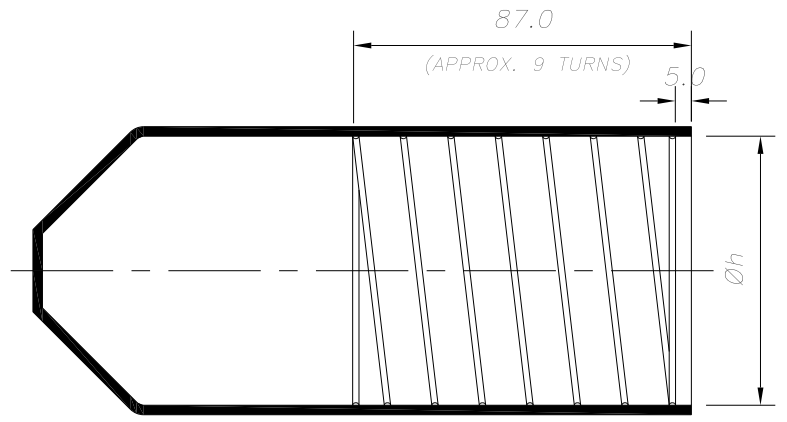
DO NOT SCALE
IF IN DOUBT ASK

Q.A.	H/S SETT
H/S Q.A.	REL. INSP.
H/S PROD	EXT.ISS.CODE

STANDARD PART (AFTER UNRESTRICTED RECOVERY)



EXPANDED (AS SUPPLIED)



* ADHESIVE APPLICATION DETAILS
NOMINAL DIMENSIONS SHOWN.



PART NO.	EXPANDED DIMENSIONS (AS SUPPLIED)	RECOVERED DIAMETERS		RECOVERED DIMENSIONS			
		h	ØH	ØJ	P	R	W
		MIN	MAX	MAX	±10%	±10%	±20%
* 1617-1	76.0 (2.99)	30.0 (1.18)	17.0 (0.67)	158.0 (6.22)	140.2 (5.52)	4.0 (0.16)	

Heatshrinkable moulded shapes bulbous End Caps - HellermannTyton

For information only, not subject to technical changes.

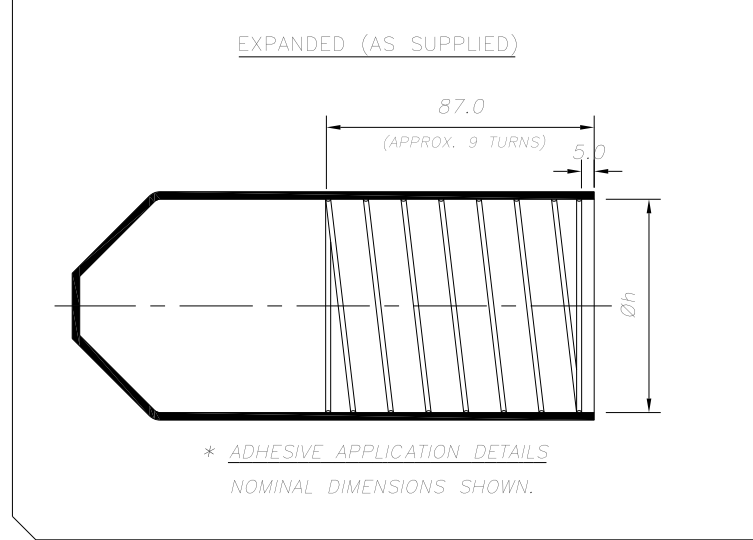
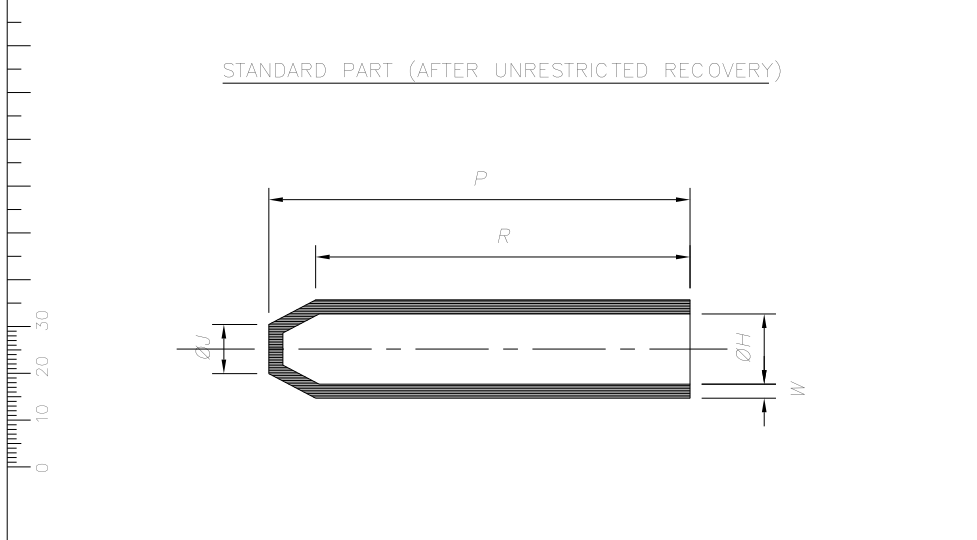
3	P1256	L.F.	09/02/09
2	P1226	GB	21/08/2008
1	P1223	GB	04/08/2008
ISSUE	NOTE No.	DRAWN	DATE

HellermannTyton

Pennycross Close, Plymouth, Devon, England
Tel ++44 (0) 1752 701264 Fax ++44 (0) 1752 790058

NAME	Baserg	SCALE	NTS	ADHESIVE	A3	SHT. 1
DATE	04/08/2008	DIMS IN	mm.		ORIGINAL SHEET SIZE 420mm x 297mm	OF
TITLE	END CAP			PART No.	DRAWING No.	SHTS
				1617	152164	

DRAWING No. 152164	SHT. 1 OF SHTS.	THE COPYRIGHT OF THIS DRAWING IS RESERVED BY HELLERMANN TYTON. IT IS ISSUED ON CONDITION THAT IT IS NOT COPIED, REPRODUCED OR DISCLOSED TO A THIRD PARTY EITHER WHOLLY OR IN PART WITHOUT THE CONSENT IN WRITING OF HELLERMANN TYTON.	THIRD ANGLE PROJECTION 	BS 8888	DO NOT SCALE IF IN DOUBT ASK	Q.A.	H/S SETT
						H/S Q.A.	REL. INSP.
						H/S PROD	EXT. ISS. CODE



PART NO.	EXPANDED DIMENSIONS (AS SUPPLIED)	RECOVERED DIAMETERS		RECOVERED DIMENSIONS			
		h	ØH	ØJ	P	R	W
		MIN	MAX	MAX	±10%	±10%	±20%
* 1617-1	76.0 (2.99)	30.0 (1.18)	17.0 (0.67)	158.0 (6.22)	140.2 (5.52)	4.0 (0.16)	

3	P1256	L.F.	09/02/09	HellermannTyton <i>Pennycross Close, Plymouth, Devon, England</i> Tel ++44 (0) 1752 701264 Fax ++44 (0) 1752 790058	DATE	04/08/2008	DIMS IN	mm.		ORIGINAL SHEET SIZE 420mm x 297mm	OF SHTS
2	P1226	GB	21/08/2008		TITLE				PART No.	DRAWING No.	
1	P1223	GB	04/08/2008		END CAP	1617	152164				
ISSUE	NOTE No.	DRAWN	DATE								