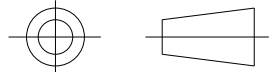


DRAWING No.
152173

SHT. 1
OF
1 SHTS.

© THE COPYRIGHT OF THIS DRAWING IS RESERVED BY HELLERMANN TYTON. IT IS ISSUED ON CONDITION THAT IT IS NOT COPIED, REPRODUCED OR DISCLOSED TO A THIRD PARTY EITHER WHOLLY OR IN PART WITHOUT THE CONSENT IN WRITING OF HELLERMANN TYTON.

THIRD ANGLE PROJECTION

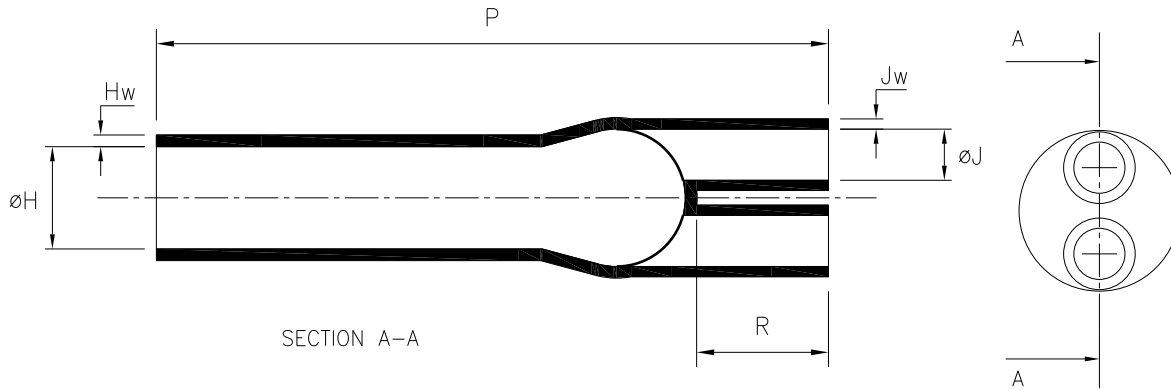


BS 8888

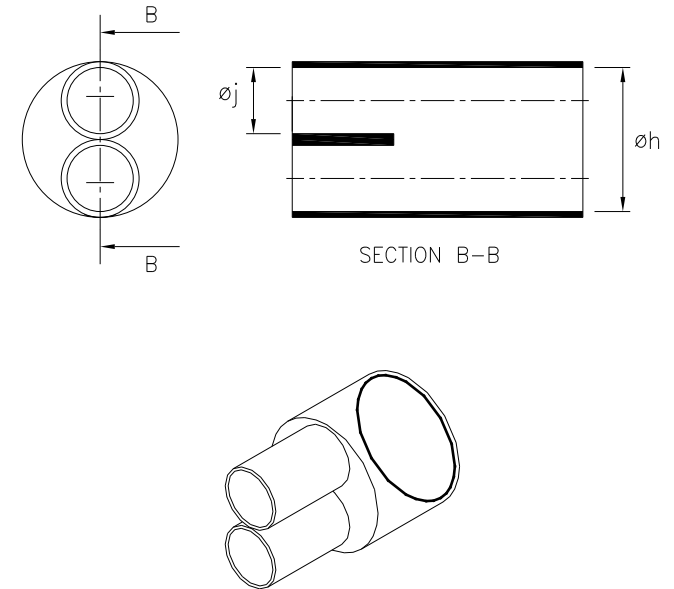
DO NOT SCALE
IF IN DOUBT ASK

Q.A.	H/S SETT		
H/S Q.A.	REL. INSP.		
H/S PROD	EXT.ISS.CODE	2/6/8	7

STANDARD PART (AFTER UNRESTRICTED RECOVERY)



EXPANDED (AS SUPPLIED)



3M	NAVSEA	PART NO.	EXPANDED DIMENSIONS (AS SUPPLIED)		RECOVERED DIAMETERS		RECOVERED DIMENSIONS			
			øh	øj	øH	øJ	P	R	Hw	Jw
			MIN	MIN	MAX	MAX	±10%	±10%	±20%	±20%
HDBB 220A	1A62-3	218-2	49.0 (1.93)	20.0 (0.79)	22.9 (0.90)	7.62 (0.30)	119.0 (4.69)	34.0 (1.34)	3.18 (0.13)	3.18 (0.13)
-	-	218-6	49.0 (1.93)	28.0 (1.10)	22.9 (0.90)	7.62 (0.30)	119.0 (4.69)	34.0 (1.34)	3.18 (0.13)	3.18 (0.13)

4	P1352	G.B.	18/07/11
3	P1329	G.B.	11/10/10
2	P1256	L.F.	09/02/09
1	P1239	G.B.	06/10/08
ISSUE	NOTE No.	DRAWN	DATE

HellermannTyton

Pennycross Close, Plymouth, Devon, England
Tel ++44 (0) 1752 701261 Fax ++44 (0) 1752 790058

NAME	G.Baser	SCALE	NTS
DATE	06/10/08	DIMS IN	mm (in)
TITLE	2 WAY OUTLET SLEEVE		

ADHESIVE	A3	SHT. 1
	ORIGINAL SHEET SIZE 420mm x 297mm	OF 1 SHTS.
PART No.	218	DRAWING No.
		152173