

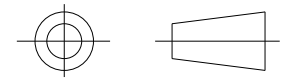
Heatshrinkable moulded shapes bulbous 6-Way Outlet Shapes, Breakout Boots - HellermannTyton

DRAWING No.
152206

SHT. 1
OF
1 SHTS.

© THE COPYRIGHT OF THIS DRAWING IS RESERVED BY HELLERMANN TYTON. IT IS ISSUED ON CONDITION THAT IT IS NOT COPIED, REPRODUCED OR DISCLOSED TO A THIRD PARTY EITHER WHOLLY OR IN PART WITHOUT THE CONSENT IN WRITING OF HELLERMANN TYTON.

THIRD ANGLE PROJECTION



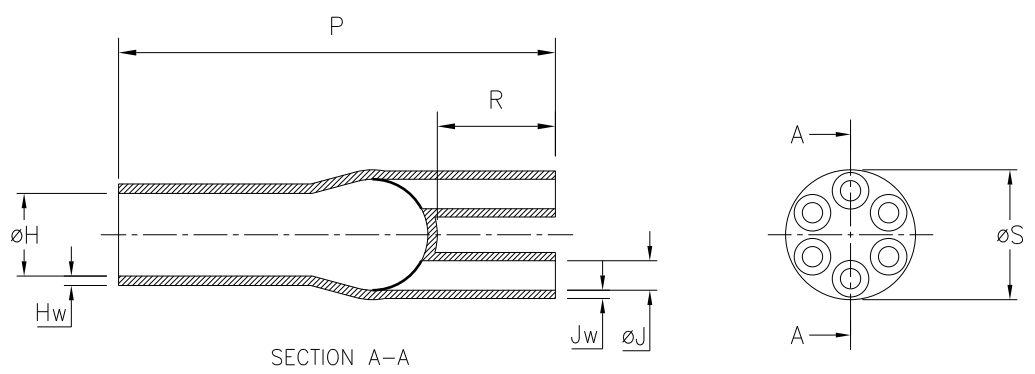
BS 8888

DO NOT SCALE
IF IN DOUBT ASK

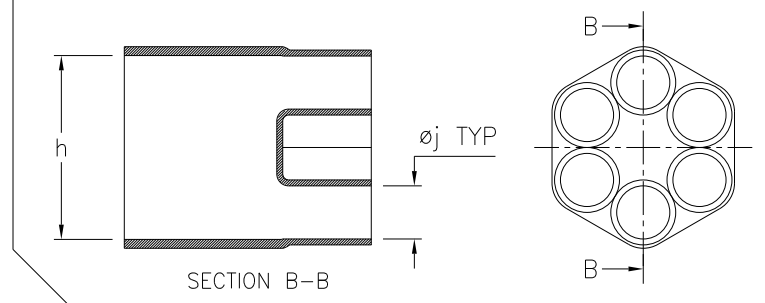
Q.A.	H/S SETT
H/S Q.A.	REL. INSP.
H/S PROD	EXT.ISS.CODE



STANDARD PART (AFTER UNRESTRICTED RECOVERY)



EXPANDED (AS SUPPLIED)



PART NO.	EXPANDED DIMENSIONS (AS SUPPLIED)		RECOVERED DIAMETERS			RECOVERED DIMENSIONS			
	h	øj	øH	øJ	øS	P	R	Hw	Jw
	MIN	MIN	MAX	MAX	NOM	±10%	±10%	±20%	±20%
609-1	30.0 (1.18)	8.2 (0.32)	16.0 (0.63)	4.0 (0.16)	25.0 (0.98)	75.0 (2.95)	20.0 (0.79)	2.5 (0.10)	1.5 (0.06)
609-2	40.0 (1.57)	12.0 (0.47)	16.0 (0.63)	4.0 (0.16)	25.0 (0.98)	75.0 (2.95)	20.0 (0.79)	2.5 (0.10)	1.5 (0.06)

Heatshrinkable moulded shapes bulbous 6-Way Outlet Shapes, Breakout Boots - HellermannTyton

For information only, not subject to technical changes.

1	P1267	L.F.	25/03/09
ISSUE	NOTE No.	DRAWN	DATE

HellermannTyton

Pennycross Close, Plymouth, Devon, England
Tel ++44 (0) 1752 701201 Fax ++44 (0) 1752 790058

NAME	L.F.	SCALE	NTS	ADHESIVE
DATE	25/03/09	DIMS IN	mm (in)	
TITLE	6 WAY OUTLET SLEEVE			PART No.
				609

A3	SHT. 1
ORIGINAL SHEET SIZE 420mm x 297mm	OF 1 SHTS.
DRAWING No.	
152206	