



## Autotool System 3080

Operating Instructions



## Table of contents

<b>1</b>	<b>Notes for the user</b> . . . . .	<b>5</b>	4.2	Disposal . . . . .	11
1.1	Information about the product . . . . .	5	4.3	Storage . . . . .	11
1.2	Warranty . . . . .	5	4.4	Return . . . . .	11
1.3	Contact data . . . . .	5	<b>5</b>	<b>Installation</b> . . . . .	<b>11</b>
1.4	Information about these Operating Instructions . . . . .	5	5.1	Installing the accessories . . . . .	11
1.5	Copyright and intellectual property rights	5	5.2	Set limit . . . . .	11
1.6	Keeping and dissemination of the Operating Instructions . . . . .	5	5.3	Assemble jaws . . . . .	12
1.7	Target group of these Operating Instructions . . . . .	5	5.4	ATS3080 connect . . . . .	12
1.8	General information . . . . .	5	<b>6</b>	<b>Operation</b> . . . . .	<b>12</b>
1.9	Conventions adopted in these Operating Instructions . . . . .	5	6.1	Load tie heads . . . . .	12
1.9.1	Classification of the precautionary notices	5	6.2	Load tie ribbon . . . . .	12
1.9.2	Other notational conventions . . . . .	6	6.3	Adjust attractive force . . . . .	13
<b>2</b>	<b>Safety warnings</b> . . . . .	<b>6</b>	6.4	Switching on . . . . .	13
2.1	General power tool safety warnings . . . . .	6	6.5	Bind . . . . .	13
2.1.1	Work area safety . . . . .	6	6.6	Sequence of movements in normal operation . . . . .	14
2.1.2	Electrical safety . . . . .	6	6.7	Positioning . . . . .	14
2.1.3	Personal safety . . . . .	6	6.7.1	Positioning the bundle . . . . .	14
2.1.4	Power tool use and care . . . . .	7	6.7.2	Geometries of bundles . . . . .	14
2.1.5	Servicing . . . . .	7	6.8	Switching off . . . . .	15
2.2	Intended use . . . . .	7	6.9	Remove tie heads . . . . .	15
2.3	Misuse . . . . .	7	6.9.1	Remove the tie heads from the end cap	15
2.4	Personnel qualification . . . . .	7	6.9.2	Remove the tie heads from the tie head transport . . . . .	15
2.4.1	Specialist personnel for operation . . . . .	7	6.10	Remove tie ribbon . . . . .	15
2.4.2	Specialist personnel for maintenance and servicing . . . . .	8	<b>7</b>	<b>Troubleshooting</b> . . . . .	<b>16</b>
2.4.3	Qualified electrician . . . . .	8	7.1	Error analysis . . . . .	16
2.4.4	Authorised specialist for repair and testing . . . . .	8	7.2	Possible faults . . . . .	17
2.5	Underlying hazards associated with use of the ATS3080 . . . . .	8	7.2.1	Important notes . . . . .	18
2.5.1	Cleanliness at the workplace . . . . .	8	7.2.2	Performing a reset . . . . .	18
2.5.2	Spare parts and accessories . . . . .	8	<b>8</b>	<b>Maintenance</b> . . . . .	<b>18</b>
<b>3</b>	<b>Design and function</b> . . . . .	<b>9</b>	8.1	Important notes . . . . .	18
3.1	Scope of supply . . . . .	9	8.2	Accessories and extras . . . . .	18
3.2	Functional description . . . . .	10	8.3	Servicing by manufacturer . . . . .	18
3.2.1	Tool ATS3080 . . . . .	10	8.4	Maintenance schedule . . . . .	19
3.2.2	Power pack 3080 . . . . .	10	8.5	Repair . . . . .	19
<b>4</b>	<b>Transport, disposal and storage</b> . . . . .	<b>11</b>	8.5.1	Clean end cap . . . . .	19
4.1	Transporting the device . . . . .	11	8.5.2	Check jaws, upper jaw flap and lower jaw flap . . . . .	19
			8.5.3	Replace upper jaw flap and lower jaw flap . . . . .	20
			8.5.4	Check and replace the ribbon knife . . . . .	21

---

<b>9</b>	<b>Technical data</b>	<b>22</b>
9.1	ATS3080	22
9.1.1	Serial number	23
9.1.2	Nameplate	23
9.2	Power pack 3080	24
9.3	Interface overview, power pack 3080	25
9.4	Tie heads and tie ribbons	25
9.5	Noise and vibration information	25
<b>10</b>	<b>Declarations of conformity</b>	<b>26</b>
10.1	ATS3080	26
10.2	Power pack 3080	27

## 1 Notes for the user

These Operating Instructions are very important for correct use of the ATS3080.

They contain important information and safety instructions that will enable you to utilise the product correctly and economically for its intended use.

The instructions help avoid hazards, reduce repair costs and downtimes, and enhance the dependability and durability of the ATS3080.

Non-compliance of any nature whatsoever can lead to accidents with fatal consequences, injury or damage to property.

### 1.1 Information about the product

Product designation: ATS3080

Article number: 102-00000

Further information on the product can be found on the nameplate.

### 1.2 Warranty

The warranty is in accordance with statutory requirements. Warranty entitlement applies only in the country in which the device was originally purchased.

Batteries, fuses and light sources are not covered by the warranty.

### 1.3 Contact data

The manufacturer of the product described in these Operating Instructions is:

HellermannTyton GmbH

Grosser Moorweg 45

D-25436 Tornesch, Germany

Tel. +49 4122 701-0

[www.HellermannTyton.de](http://www.HellermannTyton.de)

[info@HellermannTyton.de](mailto:info@HellermannTyton.de)

### 1.4 Information about these Operating Instructions

Last update: 06.12.2018

### 1.5 Copyright and intellectual property rights

The manufacturer retains the copyright to these Operating Instructions. Under no circumstances may these instructions be reproduced or electronically processed, replicated or disseminated, in whole or in part, without the prior written consent of HellermannTyton GmbH (hereinafter referred to as HellermannTyton). Any breach or infringement of these stipulations will result in liability for damages.

### 1.6 Keeping and dissemination of the Operating Instructions

These Operating Instructions must be kept in the immediate vicinity of the workplace and must be available at all times to all operating personnel. The operating company shall inform the operating personnel of the location of these Operating Instructions.

The operating company shall obtain replacement from the manufacturer if these instructions are, become or are rendered no longer easily legible.

If the ATS3080 is acquired by or sold on to a third party the following documents must be handed over to the new owner:

- Operating Instructions
- Documents relating to repair work
- Logs of maintenance work undertaken
- ▶ Protect these Operating Instructions from moisture, direct sunlight and extreme heat.

### 1.7 Target group of these Operating Instructions

These Operating Instructions must be read and complied with by every person charged with any of the following tasks:

- Installation
- Operation
- Maintenance
- Repair
- Fault rectification

### 1.8 General information

All accompanying drawings are exempt from the modification service.

### 1.9 Conventions adopted in these Operating Instructions

#### 1.9.1 Classification of the precautionary notices

Precautionary notices in these Operating Instructions draw attention to hazards associated with use of the ATS3080 and indicate how they can be avoided.

The precautionary notices are subdivided into three groups according to the severity of the potential hazard:

#### DANGER

Text accompanied by the signal word "DANGER" indicate hazardous situations which, in the event of non-compliance with the appropriate precautions, will cause death or severe injury.

#### WARNING

Text accompanied by the signal word "WARNING" indicate hazardous situations which, in the event of non-compliance with the appropriate precautions, can cause death or serious injury.

 **CAUTION**

Text accompanied by the signal word "CAUTION" indicate hazardous situations which, in the event of non-compliance with the appropriate precautions, can cause slight or serious injury.

### 1.9.2 Other notational conventions

- ▶ Indicates an instruction
- Indicates an item in a bullet list
- ☑ Indicates the result of an action


**This text highlight** is used for names of menus, clickable on-screen buttons, pushbuttons and switches.

This text highlight is used for display messages.

→ This text highlight is used for cross-references.


**NOTE**

Text accompanied by the signal word "NOTE" indicate situations which, in the event of non-compliance with the appropriate precautions, can cause damage to the ATS3080 or the surroundings.

 Text accompanied by this symbol contain useful additional information.

## 2 Safety warnings

### 2.1 General power tool safety warnings

 The safety warnings in this section contain general power tool safety warnings to be set out in the Operating Instructions as required by EN 62841. Consequently, some instructions might not be relevant for the ATS3080.

 **WARNING**

**Read all safety warnings and all instructions.** Failure to follow the warning and instructions may result in electric shock, fire and/or serious injury.

**Save all safety warnings and other instructions for future reference.** The term "power tool" in the warnings refers to your mains-operated (corded) power tool or battery-operated (cordless) power tool.

#### 2.1.1 Work area safety

- a) **Keep work area clean and well lit.** Cluttered or dark areas invite accidents.
- b) **Do not operate power tools in explosive atmospheres, such as in the presence of flammable liquids, gases or dust.** Power tools create sparks which may ignite the dust or fumes.
- c) **Keep children and bystanders away while operating a power tool.** Distractions can cause you to lose control.

#### 2.1.2 Electrical safety

- a) **Power tool plugs must match the outlet. Never modify the plug in any way. Do not use any adapter plugs with earthed (grounded) power tools.** *Unmodified plugs and matching outlets will reduce risk of electric shock.*
- b) **Avoid body contact with earthed or grounded surfaces, such as pipes, radiators, ranges and refrigerators.** *There is an increased risk of electric shock if your body is earthed or grounded.*
- c) **Do not expose power tools to rain or wet conditions.** *Water entering a power tool will increase the risk of electric shock.*
- d) **Do not abuse the cord. Never use the cord for carrying, pulling or unplugging the power tool. Keep cord away from heat, oil, sharp edges or moving parts.** *Damaged or entangled cords increase the risk of electric shock.*
- e) **When operating a power tool outdoors, use an extension cord suitable for outdoor use.** *Use of a cord suitable for outdoor use reduces the risk of electric shock.*
- f) **If operating a power tool in a damp location is unavoidable, use a residual current device (RCD) protected supply.** *Use of an RCD reduces the risk of electric shock.*

#### 2.1.3 Personal safety

- a) **Stay alert, watch what you are doing and use common sense when operating a power tool. Do not use a power tool while you are tired or under the influence of drugs, alcohol or medication.** *A moment of inattention while operating power tools may result in serious personal injury.*
- b) **Use personal protective equipment. Always wear eye protection.** *Protective equipment such as a dust mask, non-skid safety shoes, hard hat or hearing protection used for appropriate conditions will reduce personal injuries.*
- c) **Prevent unintentional starting. Ensure the switch is in the off-position before connecting to power source and/or battery pack, picking up or carrying the tool.** *Carrying power tools with your finger on the switch or energising power tools that have the switch on invites accidents.*
- d) **Remove any adjusting key or wrench before turning the power tool on.** *A wrench or a key left attached to a rotating part of the power tool may result in personal injury.*
- e) **Do not overreach. Keep proper footing and balance at all times.** *This enables better control of the power tool in unexpected situations.*

- f) Dress properly. Do not wear loose clothing or jewellery. Keep your hair and clothing away from moving parts. *Loose clothes, jewellery or long hair can be caught in moving parts.*
- g) If devices are provided for the connection of dust extraction and collection facilities, ensure these are connected and properly used. *Use of dust collection can reduce dust-related hazards.*
- h) Do not let familiarity gained from frequent use of tools allow you to become complacent and ignore tool safety principles. *A careless action can cause severe injury within a fraction of a second.*

### 2.1.4 Power tool use and care

- a) Do not force the power tool. Use the correct power tool for your application. *The correct power tool will do the job better and safer at the rate for which it was designed.*
- b) Do not use the power tool if the switch does not turn it on and off. *Any power tool that cannot be controlled with the switch is dangerous and must be repaired.*
- c) Disconnect the plug from the power source and/or remove the battery pack, if detachable, from the power tool before making any adjustments, changing accessories, or storing power tools. *Such preventive safety measures reduce the risk of starting the power tool accidentally.*
- d) Store idle power tools out of the reach of children and do not allow persons unfamiliar with the power tool or these instructions to operate the power tool. *Power tools are dangerous in the hands of untrained users.*
- e) Maintain power tools and accessories. Check for misalignment or binding of moving parts, breakage of parts and any other condition that may affect the power tool's operation. *If damaged, have the power tool repaired before use. Many accidents are caused by poorly maintained power tools.*
- f) Keep cutting tools sharp and clean. *Properly maintained cutting tools with sharp cutting edges are less likely to bind and are easier to control.*
- g) Use the power tool, accessories and tool bits etc. in accordance with these instructions, taking into account the working conditions and the work to be performed. *Use of the power tool for operations different from those intended could result in a hazardous situation.*
- h) Keep handles and grasping surfaces dry, clean and free from oil and grease. *Slippery handles and grasping surfaces do not allow for safe handling and control of the tool in unexpected situations.*

### 2.1.5 Servicing

- a) Have your power tool serviced by a qualified repair person using only identical replacement parts. *This will ensure that the safety of the power tool is maintained.*

### 2.2 Intended use

Use the ATS3080 only when it is in full working order and safe, always be safety-conscious and aware of the hazards. The ATS3080 is suitable for and intended for the following uses:

- Automatic binding of bundles up to a diameter of max. 80 mm
- Use indoors and, under rainproof roofing, outdoors
- Industrial use

### 2.3 Misuse

Use other than as stated in the section entitled "→ "Intended use" on page 7" is misuse. The operating company responsible for use of the ATS3080 bears sole responsibility for injury and damage resulting from misuse.

The following are specifically prohibited:

- Use with faulty parts
- Use in explosive environments or in the presence of a fire hazard
- Use in high humidity and/or direct sunlight
- Simultaneous use by two or more persons
- Unauthorised alterations and modifications to the ATS3080 and its accessories without the prior consent of HellermannTyton
- Use of spare parts and accessories not tested and approved beforehand by HellermannTyton
- Operation of the ATS3080 with the housing open

### 2.4 Personnel qualification

Underage persons and trainees are permitted to use the device only under the supervision of an experienced specialist and only with the express permission of the operating company.

#### 2.4.1 Specialist personnel for operation

The tasks and authorisations assigned to specialist personnel for extended operation are as follows:

- Operation of the ATS3080
- Rectification of faults or, as applicable, initiation of measures for the rectification of faults
- Cleaning of the ATS3080

These individuals have the specialist training or practical experience that will ensure correct handling.



### 2.4.2 Specialist personnel for maintenance and servicing

Always have maintenance and servicing carried out by duly qualified specialist personnel. These individuals have the specialist training that affords sufficient knowledge of the ATS3080 for them to judge when it is in safe working order.

These individuals are also familiar with the following rules and regulations:

- Applicable national health and safety regulations
- Accident prevention regulations
- Generally accepted rules of engineering practice (e.g. employers' liability insurance association codes, DIN standards, VDE regulations, technical rules of other European Union Member States or other signatories of the Agreement on the European Economic Area).

### 2.4.3 Qualified electrician

Work on the electrical supply and on parts that are live when the device is in operation should always be carried out by a trained electrician.

### 2.4.4 Authorised specialist for repair and testing

Only service technicians from HellermannTyton or service technicians certified by HellermannTyton are permitted to carry out repairs and safety checks.

## 2.5 Underlying hazards associated with use of the ATS3080

### 2.5.1 Cleanliness at the workplace

Orderliness, good lighting and cleanliness at the workplace all help to make work easier, minimise hazards and reduce the risk of injury.

Always comply with the following principles of orderliness and cleanliness at the workplace.

- ▶ Put tools away as soon as they are no longer needed.
- ▶ Avoid trips (e.g. immediately dispose of waste by placing it in the containers provided for the purpose).
- ▶ Immediately remove spillages of grease, oil and other liquids.
- ▶ Clean smears off the controls.

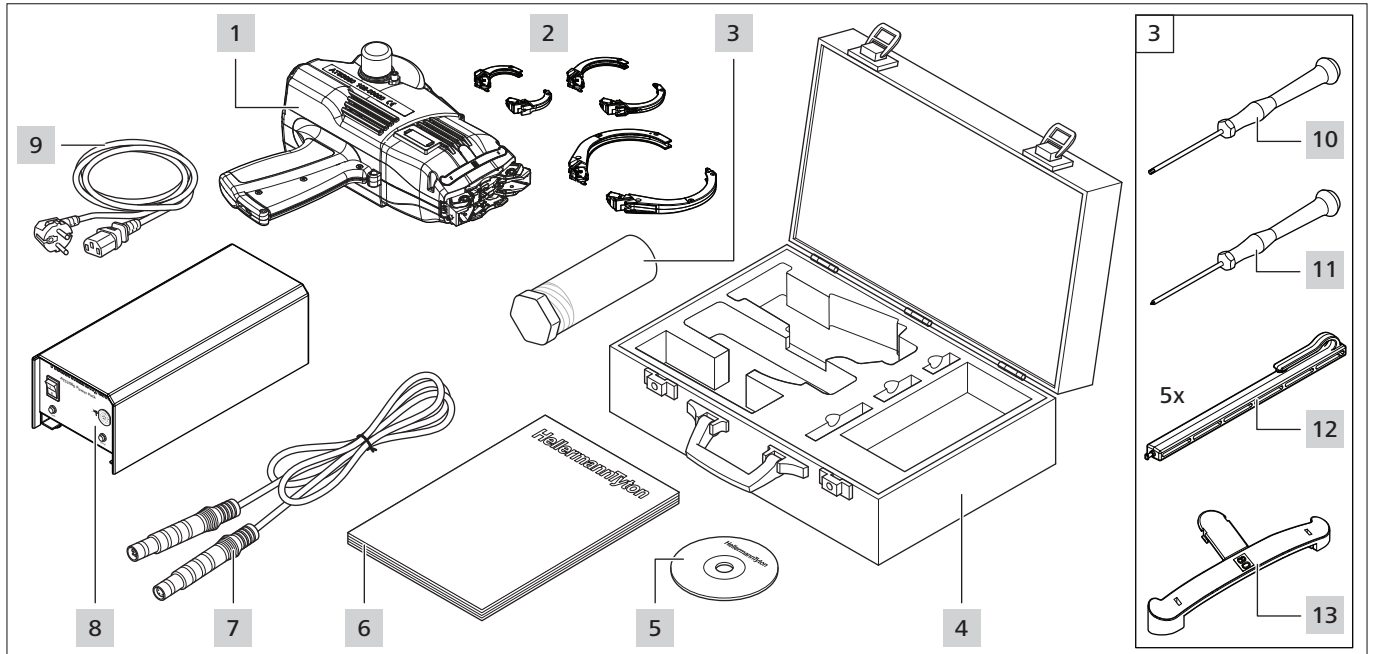
### 2.5.2 Spare parts and accessories

- ▶ Use only original replacement parts.
- ▶ After parts have been replaced, always check that everything is in full working order.
- ▶ Use only accessories approved by HellermannTyton. Accessories can affect the way in which the ATS3080 works.



### 3 Design and function

#### 3.1 Scope of supply



- 1 Autotool System 3080 (ATS3080)
- 2 Jaws diameter 30 mm, diameter 50 mm and diameter 80 mm
- 3 Service box
- 4 Case, complete with 2 keys
- 5 User video DVD for the Operating instructions
- 6 Operating Instructions
- 7 Connecting cable 2 m (for connecting power pack 3080 and ATS3080)
- 8 Power pack 3080
- 9 Power cable 1.8 m

#### Contents of the service box

- 10 Screwdriver 2 mm Allen screw
- 11 Screwdriver PH0 50
- 12 Tie head puller (5x)
- 13 Limit 80

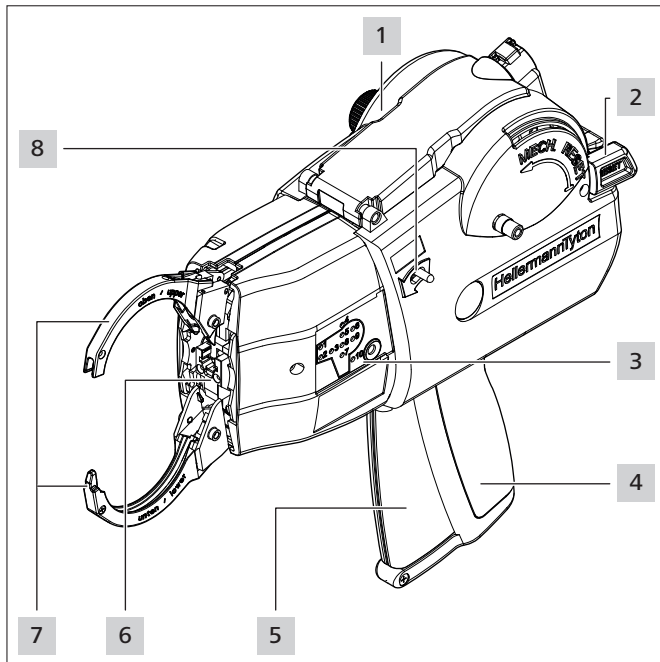
**i** For article numbers for the accessories, → "Accessories and extras" on page 18

#### Checking scope of supply

- ▶ Check that nothing is missing and that there are no visible signs of damage in transit or other damage.
- ▶ Have damage confirmed by the freight forwarder and notify HellermannTyton immediately in writing.

### 3.2 Functional description

#### 3.2.1 Tool ATS3080



- 1 ATS3080
- 2 Reset lever
- 3 Display
- 4 Grip
- 5 Triggering lever (trigger)
- 6 End cap with front sensor
- 7 Upper and lower jaws
- 8 Release lever

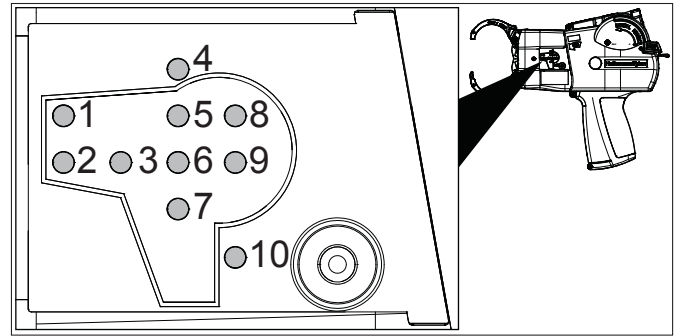
The ATS3080 **1** is an electrically powered system for bundling electrical wires, for example, and for securing parts of various kinds with tie ribbon and tie heads, → "Tie heads and tie ribbons" on page 25.

The force and binding can be set on the ATS3080.

The items to be bundled have to be positioned between the jaws and against the end cap. The triggering lever **5** is then pressed.

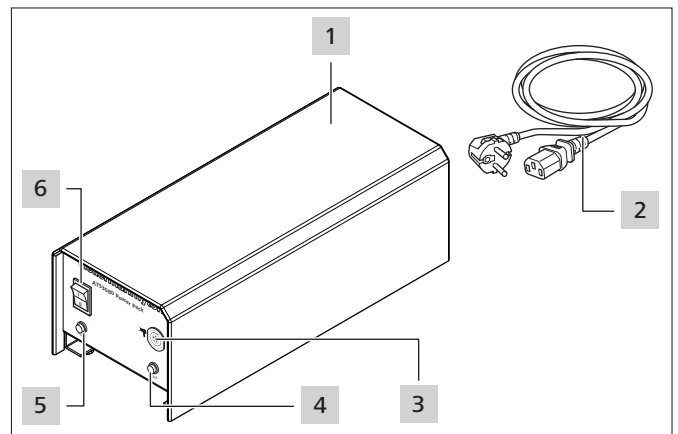
If a fault occurs, the user is shown information about the location of the fault on the display **3** and the corresponding LED illuminates in red, → "Display" on page 10

#### Display



- 1 Lock position
- 2 Switch
- 3 Start position
- 4 Lock material
- 5 Motor
- 6 Time
- 7 Overload
- 8 Ribbon material
- 9 Roller block
- 10 Reset

#### 3.2.2 Power pack 3080



- 1 Housing
- 2 Power cable (socket and fuse on the rear of the housing)
- 3 Connection for ATS3080
- 4 LED indicator **Signal**
- 5 LED indicator **Power**
- 6 Main switch

The power pack 3080 supplies electricity to the ATS3080. To the interfaces on both sides of the housing, → "Interface overview, power pack 3080" on page 25.

## 4 Transport, disposal and storage


### 4.1 Transporting the device

- ▶ Use the supplied case for transport.

### 4.2 Disposal

Disposal of the ATS3080, the power pack 3080 and individual subassemblies and the disposal of consumables and auxiliaries are subject in part to statutory regulations. Detailed information is available on request from the appropriate authorities (e.g. regional or national water boards or environmental authorities).

- ▶ Dispose of packaging materials.

 Always dispose of packaging materials in accordance with the currently valid materials-disposal and environmental protection regulations.

- ▶ Always take materials for disposal to certified collection points.
- ▶ Contact the manufacturer if there is any uncertainty regarding disposal.

### 4.3 Storage

- ▶ ATS3080 and power pack 3080 must be stored in a cool, dry place.
- ▶ Avoid direct sunlight.
- ▶ ATS3080 and power pack 3080 must be stored in dustproof packaging.
- ▶ Store electrical components (ATS3080 and power pack 3080) in impact-absorbing packaging and separately from the accessories.
- ▶ Consult and comply with the appropriate data sheets for storage of the accessories.

### 4.4 Return

- ▶ Use the supplied case for returns, as otherwise you will be invoiced for the costs of a replacement case.

## 5 Installation

### 5.1 Installing the accessories

- ▶ Always proceed in accordance with the instructions supplied with the accessory in question.

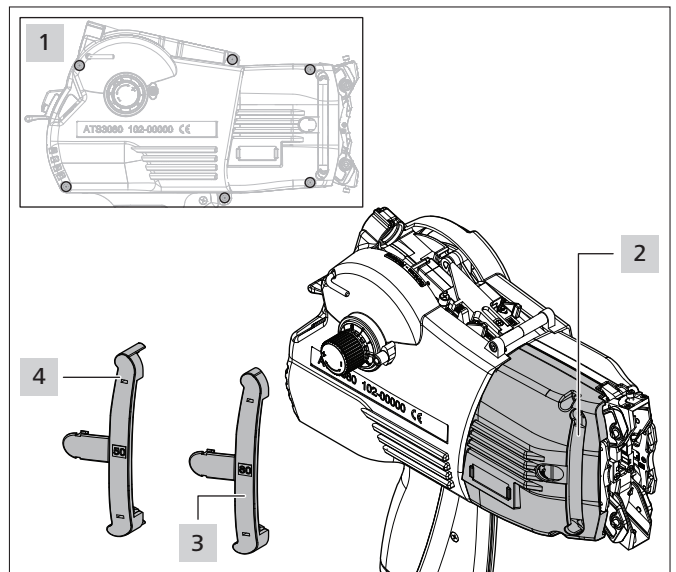
### 5.2 Set limit

#### Required tool

- Screwdriver 2.5 mm Allen screw

 The screwdriver 2.5 mm Allen screw is not included in the scope of supply.

#### Set limit



The following limits are available, → "Geometries of bundles" on page 14:

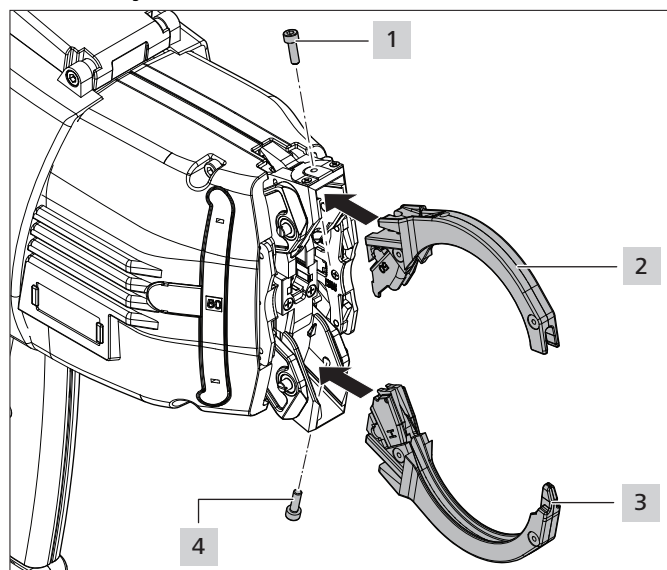
- Limit 50 **4** for jaws diameter 30 mm and diameter 50 mm
- Limit 80 **3** for jaws diameter 80 mm
- ▶ Loosen the six screws **1**.
- ▶ Slightly raise the rear housing shell and remove the front housing shell **2**.
- ▶ Turn the front housing shell **2**.
- ▶ Insert the limit suitable for the bundle into the recess of the front housing shell **2** from the inside.
- ▶ Push the front housing shell **2** under the rear housing shell and close the housing.
- ▶ Fasten the housing shells using the screws **1**.

### 5.3 Assemble jaws

#### Required tool

- Screwdriver 2 mm Allen screw

#### Assemble jaws



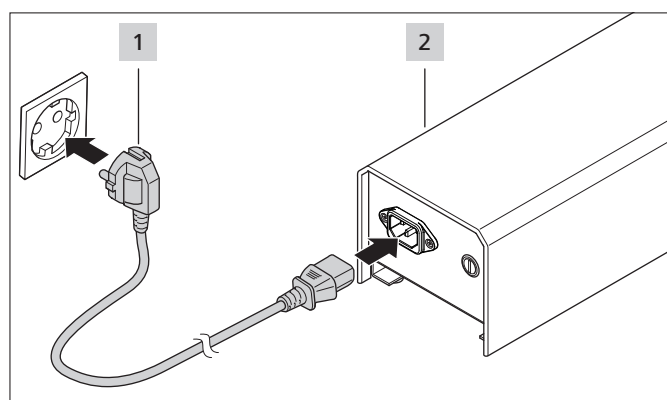
- ▶ Select the jaws suitable for the bundle, → "Geometries of bundles" on page 14
- ▶ Loosen the screws 1 and 4.
- ▶ Push the upper jaw 2 and the lower jaw 3 into the respective jaw receivers until they engage.
- ▶ Pay attention to the labelling and the correct assignment of the upper and lower jaw.

#### NOTE

The screw heads do not rest on the housing.

- ▶ Do **not** tighten the screws up until the stop.
- ▶ Tighten screws 1 and 4 and by doing so clamp the jaws.

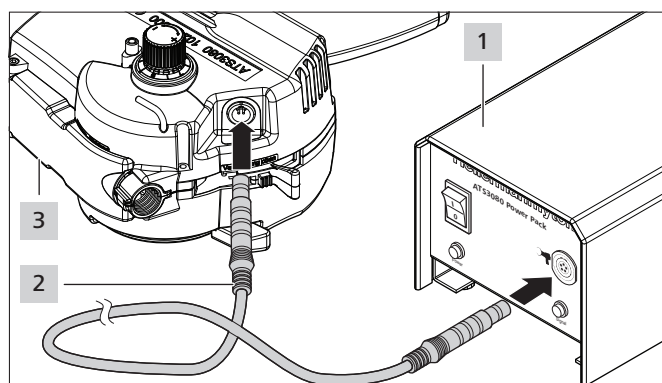
### 5.4 ATS3080 connect



- ▶ Connect power pack 3080 2 to power-supply outlet 1.

#### NOTE

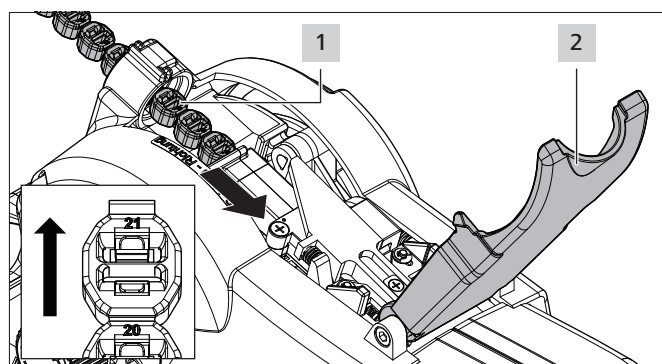
The power-supply outlet must be readily accessible so that the system can be de-energised if the need arises.



- ▶ Connect the ATS3080 3 with the connecting cable 2 to the power pack 3080 1.
- ☑ The locking rings of the connecting cable 2 engage.

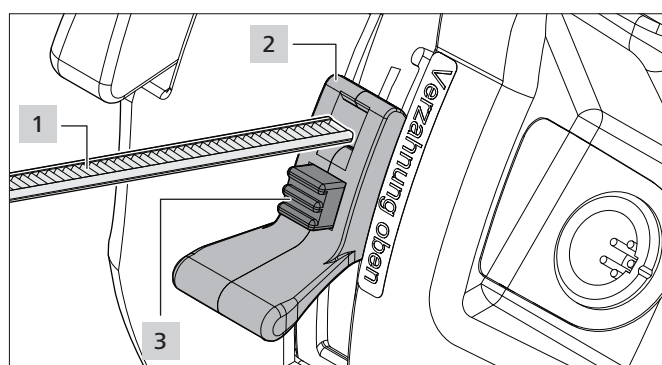
## 6 Operation

### 6.1 Load tie heads



- ▶ Insert the closure chain 1 with the number facing towards the front and upwards.
- ▶ Open the cover 2 of the ATS3080.
- ▶ Insert closure chain 1 up to the first point.
- ☑ The LED 4 Lock material in the display goes out.
- ☑ The closure chain 1 locks firmly into place.
- ▶ Close the cover 2.

### 6.2 Load tie ribbon

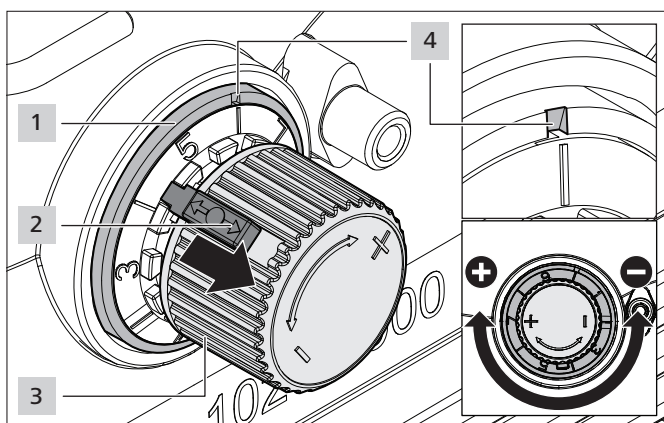


- ▶ Ensure that the tie ribbon 1 is cut at a right angle.
- ☑ The tie ribbon is at least 12 cm long.
- ▶ Press the red button 3 of the roller block 2 and hold down briefly for adjustment.

- ▶ Push the roller block **2** into the central position until it engages.
- ▶ With the teeth facing up, insert the tie ribbon **1** approx. 10 cm deep.
- ▶ Slide the roller block **2** right up until the red button **3** engages.
- ☑ It must no longer be possible to pull out the tie ribbon **1**.
- ☑ The LED 9 **Roller block** in the display goes out.

### 6.3 Adjust attractive force

The ATS3080 has an adjusting knob that can be used to adjust the attractive force.



- ▶ Pull the lock pin **2** on the adjusting knob **3** out of the gearing.
- ▶ With the lock pin **2** removed, use the adjusting knob **3** to set the desired attractive force.
  - Turning clockwise will increase the attractive force.
  - Turning anti-clockwise will decrease the attractive force.
- ☑ The selected setting is displayed in the white notch **4** on the marking ring **1**.
- ▶ Allow the lock pin **2** to lock firmly into place.

### 6.4 Switching on

- ▶ Check the ATS3080 for readiness.
- ☑ The tie ribbon is loaded and the roller block is locked, → "Load tie ribbon" on page 12
- ☑ The tie heads are loaded in the correct direction, → "Load tie heads" on page 12
- ☑ The green field is visible on the tie head transport.
- ☑ The deflectors are extended.  
If the deflectors are not extended, then a reset is required → "Performing a reset" on page 18
- ▶ Switch the power pack 3080 on at the main switch.
- ☑ The **Signal** and **Power** LEDs on the power pack 3080 illuminate in green.
- ☑ The 10 **Reset** LED on the ATS3080 illuminates in green, → "Display" on page 10
- ☑ The ATS3080 is ready for use.
- ▶ Perform ten sample bindings.

### 6.5 Bind

- ▶ Guide the bundle in front of the end cap of the ATS3080.

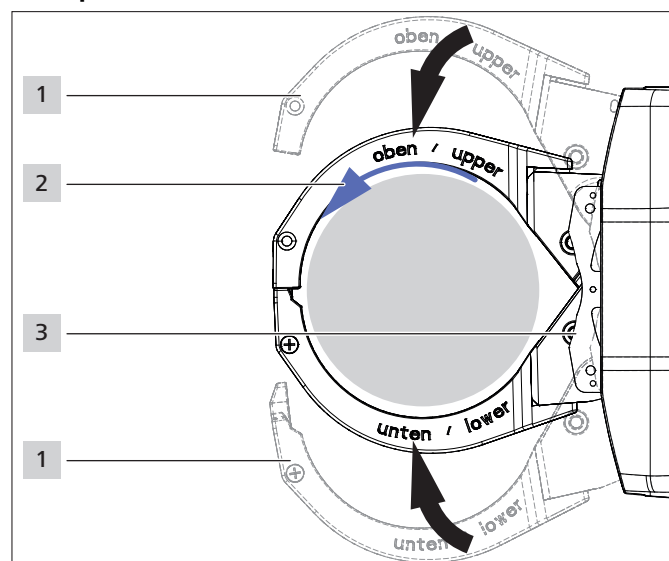
#### NOTE

- ▶ The end cap of the ATS3080 must **not** press against the bundle.
- ▶ Press the triggering lever and start a binding.
- ☑ The jaws surround the bundle and the binding is carried out.

## 6.6 Sequence of movements in normal operation

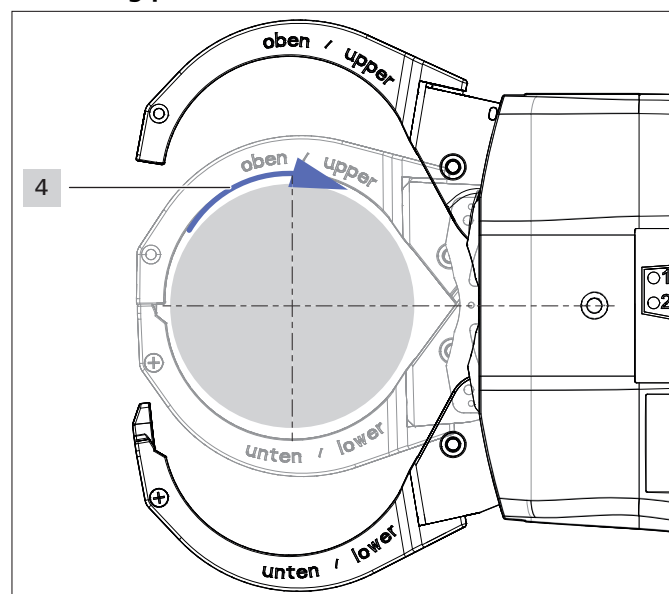
**i** The sequence of movements as shown here is with 50 mm jaws and a round object (bundle).

### Start position



- Step 1:** Close the jaws **1**.
- Step 2:** The tie ribbon forms a loop **2** round the material.
- Step 3:** The ATS3080 switches to reverse.
- Step 4:** The deflector **3** moves back, the jaws **1** open.

### Tensioning position

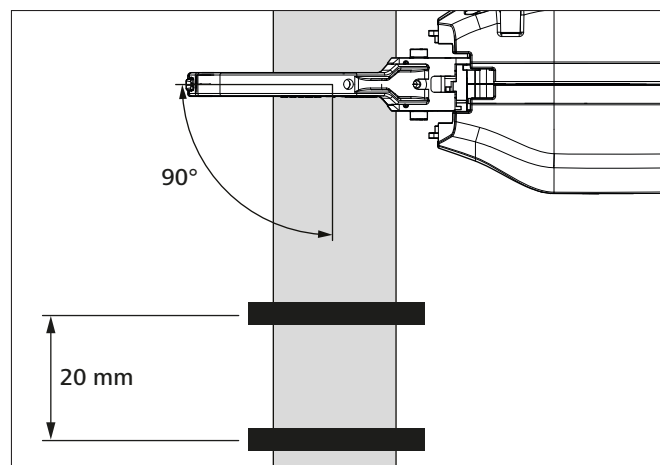


- Step 5:** The tie ribbon is tensioned **4**.
- Step 6:** The tie ribbon is cut off when the pre-set binding strength is reached.
- Step 7:** The deflectors move forwards.
- Step 8:** The ATS3080 is ready for the next binding.

## 6.7 Positioning

### 6.7.1 Positioning the bundle

- ▶ Make sure that the bundle is always in the same position.
- ▶ Bundle the material neatly. Make sure there are no projecting cable-tie ends.
- ▶ Make sure that the upper and lower jaws of the ATS3080 are not obstructed when closing.

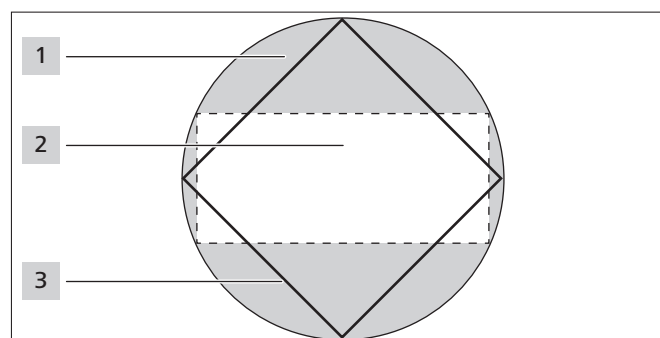


- ▶ Guide the ATS3080 past the material to be bundled at an angle of 90° to ensure that each binding is secure without projecting cable-tie ends.
- ▶ Set the tie ribbons at a minimum distance of 20 mm.

#### NOTE

In order to make a good binding, the bundle must be in a central vertical position in relation to the jaws, → "Tensioning position" on page 14

### 6.7.2 Geometries of bundles



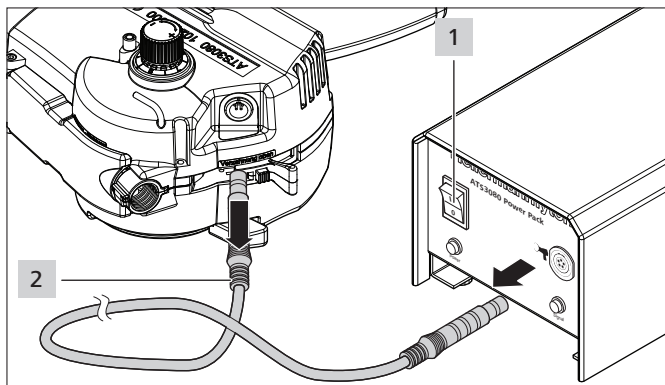
Dimensions	Jaw 30	Jaw 50	Jaw 80
Diameter [mm] <b>1</b>	max. 30	max. 50	max. 80
Rectangle [mm] <b>2</b>	max. 12 x 27	max. 23 x 45	max. 34 x 72
Square [mm] <b>3</b>	max. 21 x 21	max. 35 x 35	max. 56 x 56



## 6.8 Switching off

### NOTE

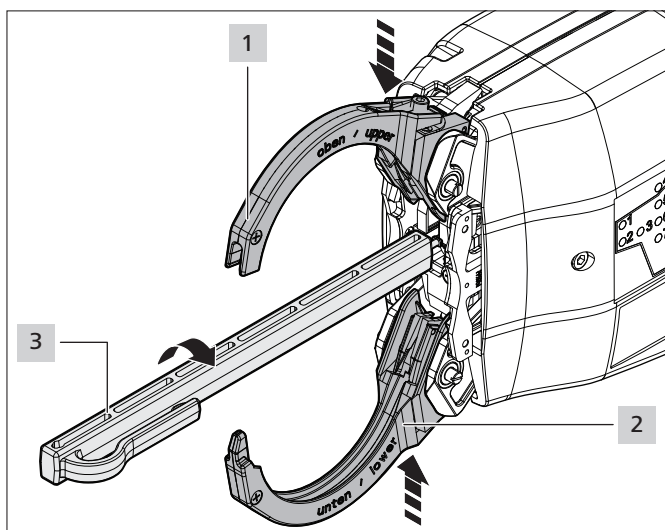
- ▶ Keep the main switch on the power pack 3080 off when the ATS3080 is not in use and when a change is to be made.



- ▶ Switch the power pack 3080 off at the main switch **1**.
- ▶ Pull on the locking rings of the connecting cable **2** in order to remove.

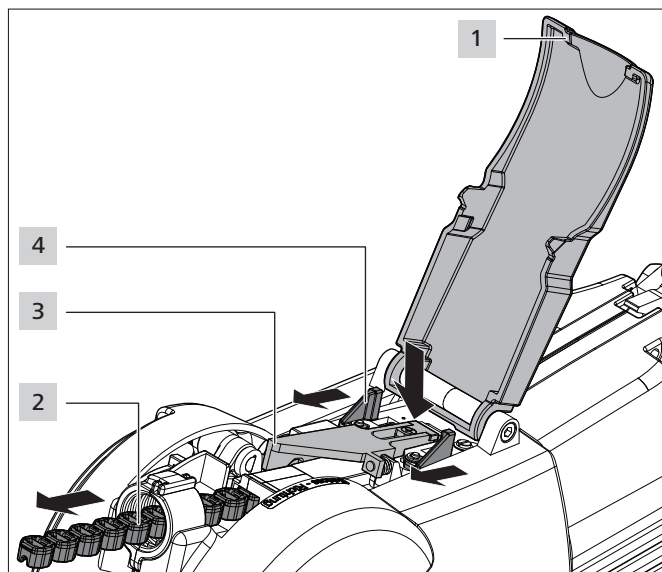
## 6.9 Remove tie heads

### 6.9.1 Remove the tie heads from the end cap.



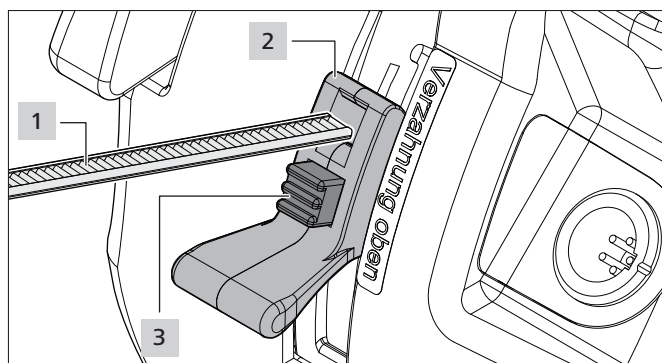
- ▶ Switch the power pack 3080 off at the main switch.
- ▶ Lightly press together the jaws **1** and **2**.
- ☑ The tie heads are transported into the end cap.
- ▶ Insert the tie head puller **3** and turn by 90°.
- ▶ Use the tie head puller **3** to remove the tie heads.

### 6.9.2 Remove the tie heads from the tie head transport.



- ▶ Switch the power pack 3080 off at the main switch.
- ▶ Open the cover **1** of the ATS3080.
- ▶ Press the tie head transport lever **3** down until the closure chain is separated.
- ☑ The tie head transport lever **3** tilts upwards.
- ▶ Push the clips **4** backwards towards the grip, and when doing so remove the tie heads **2**.
- ▶ Close the cover **1**.

### 6.10 Remove tie ribbon

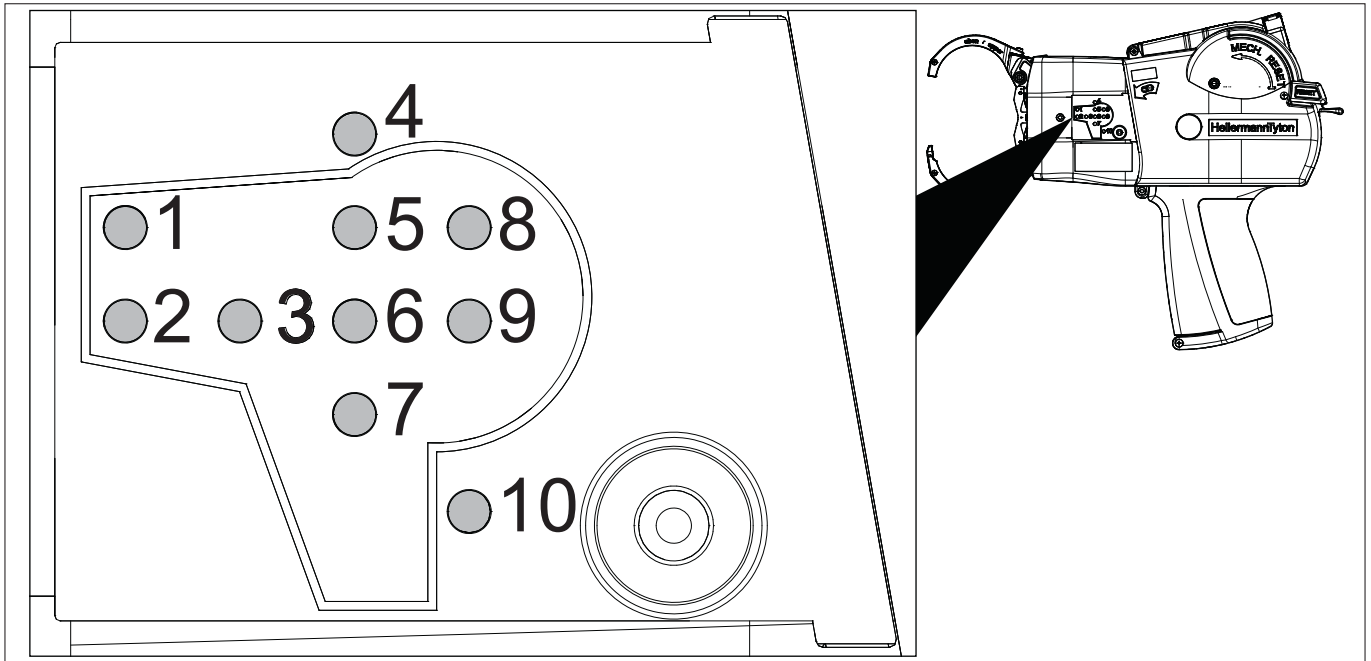


- ▶ Switch the power pack 3080 off at the main switch.
- ▶ Press the red button **3** of the roller block **2** and hold down.
- ▶ Push the roller block **2** into the lower position.
- ▶ Remove the tie ribbon **1**.



## 7 Troubleshooting

### 7.1 Error analysis



The LED lights on the display indicate the current operating status:

- LED 10 lights up green: O.K.
- An LED lights up red: error
- No LED lights up: PCB defective

The following table describes the causes and solutions in the event of an error notification on the display.

NOTIFICATION ON THE DISPLAY	CAUSE	FAULT RECTIFICATION
LED 1 Lock position	Tie head not in position	▶ Check end cap.
LED 2 Switch	Switch lever actuated	▶ Check end cap.
LED 3 Start position	Tool not in start position	▶ Check cycle interruption. ▶ Push the reset lever upwards <b>once</b> up to the stop.
LED 4 Lock material	End of tie head chain	▶ Load tie heads, → "Load tie heads" on page 12
LED 5 Motor	Motor runs too slow	▶ Perform reset, → "Performing a reset" on page 18 ▶ If the reset is unsuccessful, contact service.
LED 6 Time	Time limit exceeded	▶ Establish start position, → "Switching on" on page 13
LED 7 Overload	Overload	▶ Check blockage of the ribbon channel. ▶ Remove material residue in the ribbon channel.
LED 8 has no function		
LED 9 Roller block	Roller block open	▶ Close the roller block.
LED 10 Reset	Reset not complete	▶ Perform reset again, → "Performing a reset" on page 18

## 7.2 Possible faults

The following table describes possible malfunctions on the ATS3080, for which notification is not provided on the display.

FAULT PATTERN	POSSIBLE CAUSE	SOLUTION
Loops form	<ul style="list-style-type: none"> <li>• Attractive force too low</li> </ul>	<ul style="list-style-type: none"> <li>▶ Adjust attractive force, → "Adjust attractive force" on page 13</li> </ul>
Projecting cable-tie ends, Loose binding	<ul style="list-style-type: none"> <li>• Distance between bundle and ATS3080 too large</li> <li>• Bundle not aligned to be parallel</li> </ul>	<ul style="list-style-type: none"> <li>▶ Move the end cap of the ATS3080 so that it is tight on the bundle, without pressing on it.</li> <li>▶ During the binding, the ATS3080 <b>must not</b> be moved away from the material for bundling.</li> <li>▶ Position the material for bundling, → "Positioning the bundle" on page 14</li> </ul>
Binding not possible. Tie ribbon shoots straight out.	<ul style="list-style-type: none"> <li>• Incorrect jaw assembly</li> </ul>	<ul style="list-style-type: none"> <li>▶ Check jaw flap wear, → "Check jaws, upper jaw flap and lower jaw flap" on page 19</li> <li>▶ Check jaw assembly and assemble jaws correctly, → "Assemble jaws" on page 12</li> </ul>
The ATS3080 causes a rasping noise.	<ul style="list-style-type: none"> <li>• Incorrect jaw assembly</li> <li>• Track of the jaws blocked</li> <li>• Tie head chain incorrectly inserted</li> </ul>	<ul style="list-style-type: none"> <li>▶ Check jaw assembly and assemble jaws correctly, → "Assemble jaws" on page 12</li> <li>▶ Free up the jaw track.</li> <li>▶ Cut off wear on the tie ribbon or replace tie ribbon.</li> <li>▶ Remove tie heads and insert correctly, → "Load tie heads" on page 12</li> </ul>
No mechanical reset possible. The ribbon channel is closed.	<ul style="list-style-type: none"> <li>• End cap or ribbon knife incorrectly assembled.</li> </ul>	<ul style="list-style-type: none"> <li>▶ Assemble end cap and ribbon knife correctly, → "Check and replace the ribbon knife" on page 21</li> <li>▶ Free up the ribbon channel.</li> </ul>
The jaws do not close.	<ul style="list-style-type: none"> <li>• Blockage caused by tie head.</li> </ul>	<ul style="list-style-type: none"> <li>▶ Remove tie head from the end cap, → "Remove the tie heads from the end cap." on page 15</li> </ul>
The tie ribbon is not cut off.	<ul style="list-style-type: none"> <li>• ATS3080 defective</li> </ul>	<ul style="list-style-type: none"> <li>▶ Send the ATS3080 to the manufacturer, → "Contact data" on page 5</li> </ul>
The jaws spring open.	<ul style="list-style-type: none"> <li>• Deflector not at the front</li> </ul>	<ul style="list-style-type: none"> <li>▶ Perform reset, → "Performing a reset" on page 18</li> </ul>
The ATS3080 is inserted into a device and shows an error message on the display.	<ul style="list-style-type: none"> <li>• ATS3080 incorrectly inserted</li> <li>• Device assembled incorrectly</li> <li>• ATS3080 defective</li> </ul>	<ul style="list-style-type: none"> <li>▶ Take the ATS3080 out of the device and carry out binding manually.</li> <li>▶ If the ATS3080 is in proper working order, insert it into the device correctly or assemble the device correctly, → "Positioning the bundle" on page 14</li> <li>▶ In the event of an unsuccessful manual function check, send the ATS3080 to the manufacturer, → "Contact data" on page 5</li> </ul>

### 7.2.1 Important notes

**CAUTION**

**Crush hazard when jaws close.**

- ▶ Do not insert fingers between upper and lower jaws.
- ▶ Always keep the power pack 3080 switched off during troubleshooting.

**CAUTION**

**Crush hazard due to moving/rotating parts when service covers are open.**

- ▶ Always keep the power pack 3080 switched off during troubleshooting.

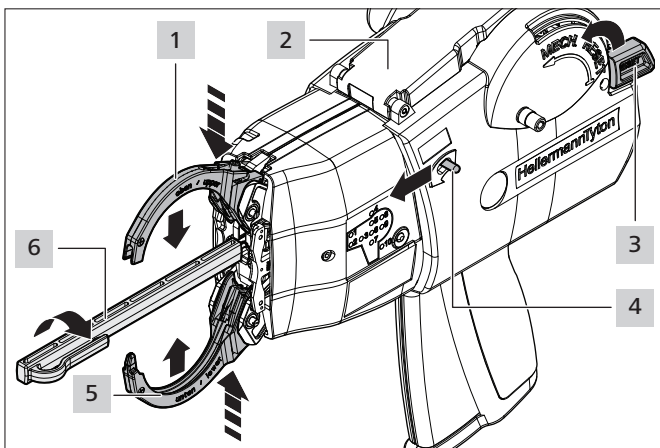
### 7.2.2 Performing a reset

A mechanical reset of the ATS3080 is required after a malfunction. The electrical reset occurs automatically.

#### Tools needed

- Tie head puller

#### Performing a reset



- ▶ Close the cover **2**.
- ▶ Push the release lever **4** in the direction of the jaws.
- The jaws **1** and **5** open.
- ▶ Lightly press together the jaws **1** and **5** at the jaw receiver (see arrows).
- The tie heads are transported into the end cap.
- ▶ Insert the tie head puller **6** and turn by 90°.
- ▶ Use the tie head puller **6** to remove a tie head.
- ▶ Push the reset lever **3** **twice** all the way up to the stop.

## 8 Maintenance

### 8.1 Important notes

Regular servicing is essential in order to ensure that the ATS3080 remains in proper working order, → "Maintenance schedule" on page 19.

**CAUTION**

**Crush hazard when jaws close.**

- ▶ Do not insert fingers between upper and lower jaws.
- ▶ Always keep the power pack 3080 switched off during maintenance work.

**CAUTION**

**Crush hazard due to moving/rotating parts when service covers are open.**

- ▶ Always keep the power pack 3080 switched off during maintenance work.

### 8.2 Accessories and extras

Accessories and extras can be ordered directly from your national HellermannTyton representative, → *separate spare parts list*.

Name	Article number
Operating Instructions	102-01002
Power pack 3080	102-00100
Power cable 1.8 m	102-00011
Connecting cable, 2 m	123-90052
Screwdriver 2 mm Allen screw	102-01103
Screwdriver PH0 50	102-01105
Tie head puller	102-01110
Limit 80	102-10064
Bench mount kit movable 3080	102-00040
Bench mount kit, horizontal, 3080	102-00041
Bench mount kit automatic 3080	102-00042
Overhead suspension 3080	102-00050

### 8.3 Servicing by manufacturer

It is advisable to have the ATS3080 serviced by HellermannTyton once a year or after every approx. 1 million bindings.

Service contact addresses for all countries are posted on the website: [www.HellermannTyton.com](http://www.HellermannTyton.com)

### 8.4 Maintenance schedule

WHEN?	WHO?	WHAT AND HOW?
Daily	Setup specialist	<ul style="list-style-type: none"> <li>▶ Blow out the end cap with compressed air.</li> <li>▶ Check jaws for secure position.</li> </ul>

### 8.5 Repair

#### NOTE

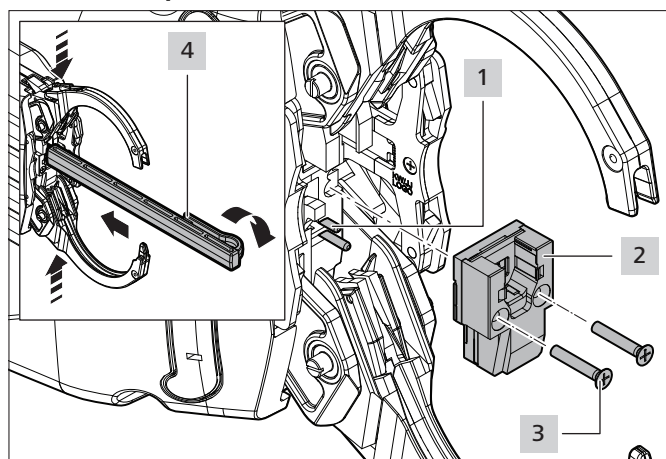
- ▶ Always perform a reset before commencing repair work, → "Performing a reset" on page 18.

#### 8.5.1 Clean end cap

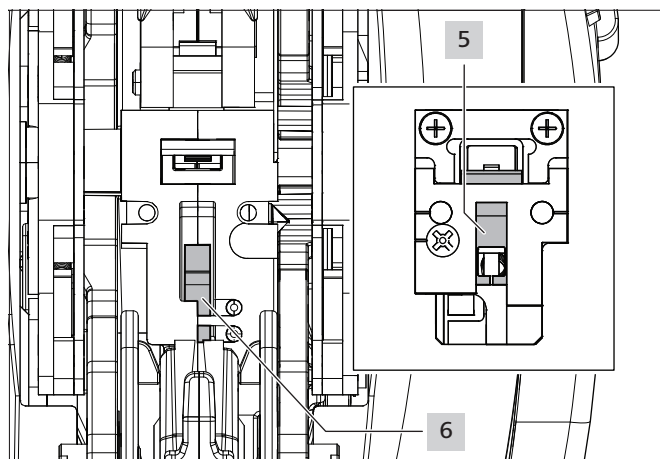
##### Required tool

- Tie head puller
- Screwdriver PH0 50

##### Clean end cap



- ▶ Lightly press together the jaws at the jaw receiver (see arrows).
- ☑ The tie heads are transported into the end cap 2.
- ▶ Insert the tie head puller 4 and turn by 90°.
- ▶ Remove the tie heads from the end cap 2.
- ▶ Loosen the screws 3 of the end cap.
- ▶ Remove the end cap 2.
- ▶ Dismantle the end cap 2 and clean with compressed air or a brush, → "Check and replace the ribbon knife" on page 21
- ▶ Blow the front area of the ATS3080 with compressed air.



- ▶ Ensure that the ribbon knife 5 and the levers of the ribbon knife 6 are in the open position (down).
- ▶ Insert the end cap 2 and use the screws 3 to secure.
- ▶ Ensure that you do not cause any damage when inserting the two pins 1 in the end area.

#### NOTE

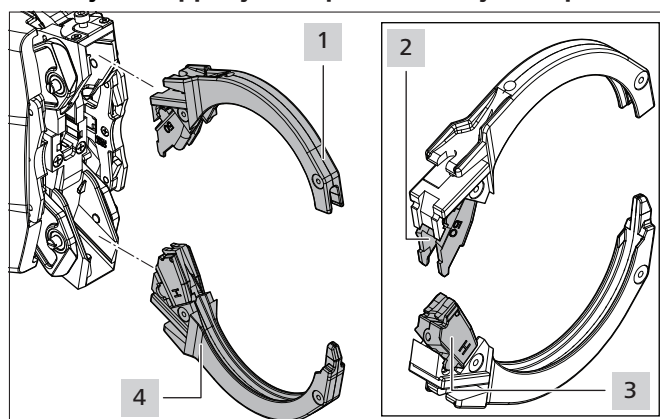
Damage to the pins 1 will cause the ATS3080 to malfunction.

#### 8.5.2 Check jaws, upper jaw flap and lower jaw flap

##### Required tool

- Screwdriver 2 mm Allen screw

##### Check jaws, upper jaw flap and lower jaw flap



- ▶ Remove the two jaws 1 and 4 from the ATS3080 , → "Assemble jaws" on page 12
- ▶ Check the jaws and the upper jaw flap 2 and lower jaw flap 3 for wear or chipping.
- ▶ In the event of wear or chipping, insert new jaws.

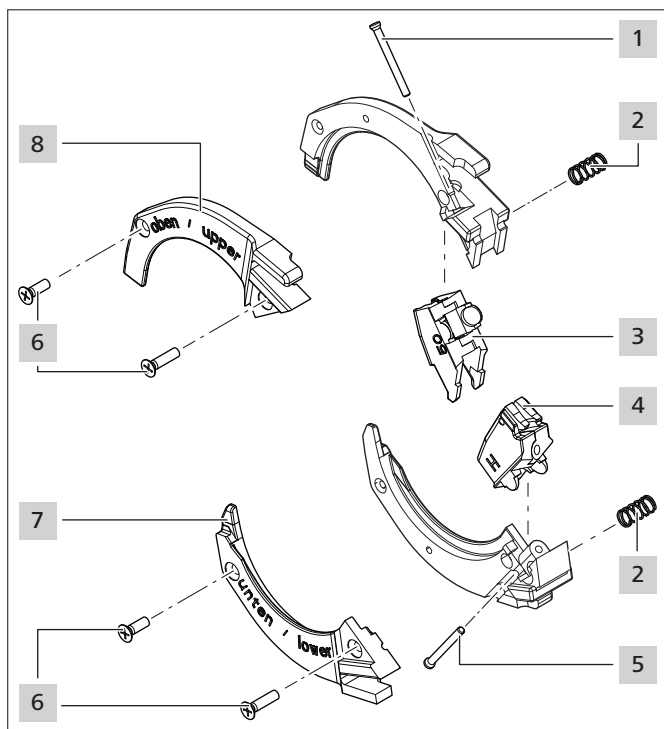
- ▶ In the event of wear or chipping, replace the upper jaw flap **2** and the lower jaw flap **3**, → "Replace upper jaw flap and lower jaw flap" on page 20

### 8.5.3 Replace upper jaw flap and lower jaw flap

#### Required tools and resources

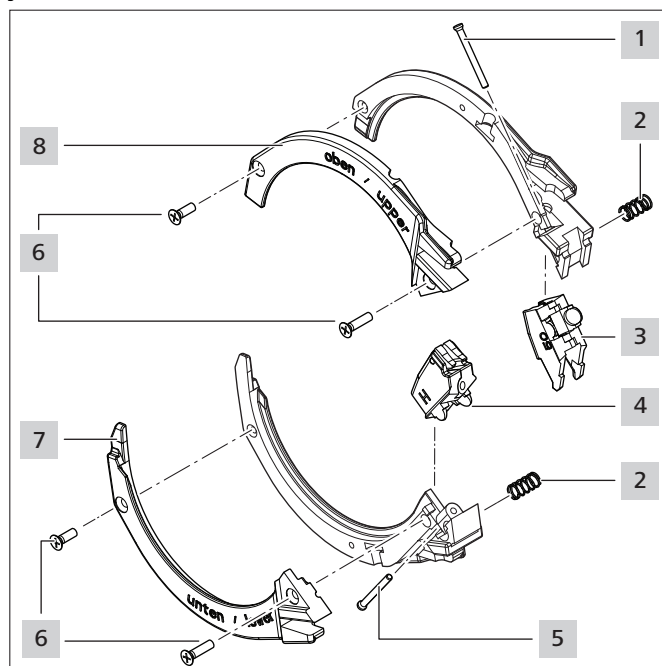
- Screwdriver PH0 50
- Loctite 243 (optionally available from HellermannTyton)

#### Replace lower jaw flap and upper jaw flap of jaw diameter 30



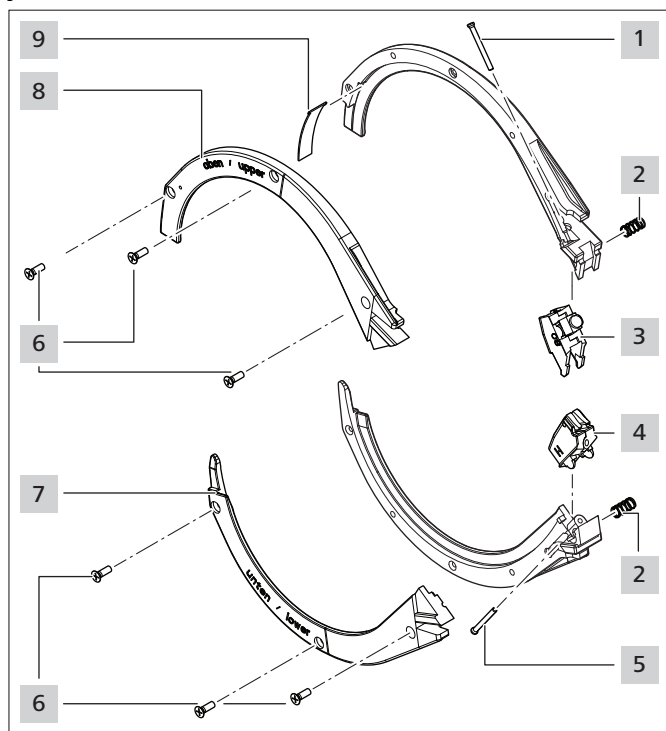
- ▶ Loosen the screws **6** on the upper and lower jaw.
- ▶ Remove the jaw halves **7** and **8**.
- ▶ Remove the pin **1** on the upper jaw flap **3**.
- ▶ Remove the pin **5** on the lower jaw flap **4**.
- ▶ Remove the upper jaw flap **3** and the lower jaw flap **4**.
- ▶ Remove the springs **2**.
- ▶ Insert the springs **2** into the new upper jaw flap **3** and the new lower jaw flap **4**.
- ▶ Insert the upper jaw flap **3** into the upper half of the jaw and secure with the pin **1**.
- ▶ Insert the lower jaw flap **4** into the lower half of the jaw and secure with the pin **5**.
- ▶ Attach the jaw halves **7** and **8**.
- ▶ Apply a drop of Loctite 243 to the thread of each of the screws **6**.
- ▶ Insert the screws **6** and tighten.

#### Replace lower jaw flap and upper jaw flap of jaw diameter 50



- ▶ Loosen the screws **6** on the upper and lower jaw.
- ▶ Remove the jaw halves **7** and **8**.
- ▶ Remove the pin **1** on the upper jaw flap **3**.
- ▶ Remove the pin **5** on the lower jaw flap **4**.
- ▶ Remove the upper jaw flap **3** and the lower jaw flap **4**.
- ▶ Remove the springs **2**.
- ▶ Insert the springs **2** into the new upper jaw flap **3** and the new lower jaw flap **4**.
- ▶ Insert the upper jaw flap **3** into the upper half of the jaw and secure with the pin **1**.
- ▶ Insert the lower jaw flap **4** into the lower half of the jaw and secure with the pin **5**.
- ▶ Attach the jaw halves **7** and **8**.
- ▶ Apply a drop of Loctite 243 to the thread of each of the screws **6**.
- ▶ Insert the screws **6** and tighten.

### Replace lower jaw flap and upper jaw flap of jaw diameter 80



- ▶ Loosen the screws **6** on the upper and lower jaw.
- ▶ Remove the jaw halves **7** and **8**.
- ▶ Remove the pin **1** on the upper jaw flap **3**.
- ▶ Remove the pin **5** on the lower jaw flap **4**.
- ▶ Remove the upper jaw flap **3** and the lower jaw flap **4**.
- ▶ Remove the springs **2**.

#### NOTE

The flaps in the diameter 80 jaw are different from the flaps in the diameter 30 and diameter 50 jaws.

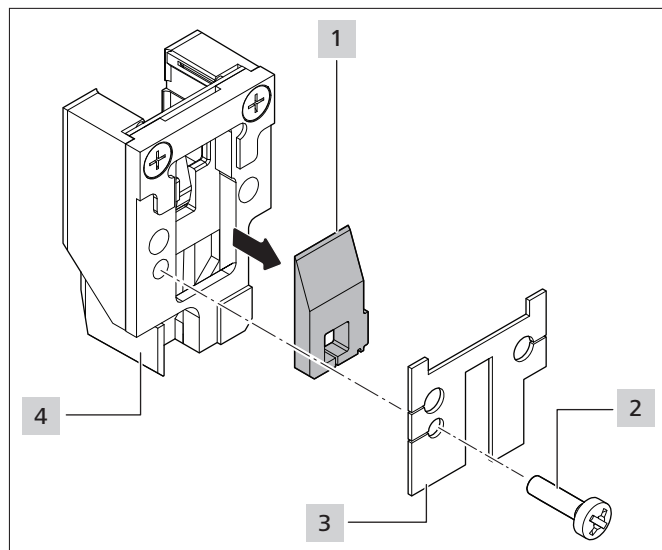
- ▶ Insert the springs **2** into the new upper jaw flap **3** and the new lower jaw flap **4**.
- ▶ Insert the upper jaw flap **3** into the upper half of the jaw and secure with the pin **1**.
- ▶ Insert the lower jaw flap **4** into the lower half of the jaw and secure with the pin **5**.
- ▶ Insert the sheet metal part QZ80 **9**.
- ▶ Attach the jaw halves **7** and **8**.
- ▶ Apply a drop of Loctite 243 to the thread of each of the screws **6**.
- ▶ Insert the screws **6** and tighten.

### 8.5.4 Check and replace the ribbon knife

#### Required tool

- Screwdriver PH0 50

#### Check and replace the ribbon knife



- ▶ Dismantle the jaws, → "Assemble jaws" on page 12
- ▶ Remove the end cap **4**, → "Clean end cap" on page 19

#### CAUTION

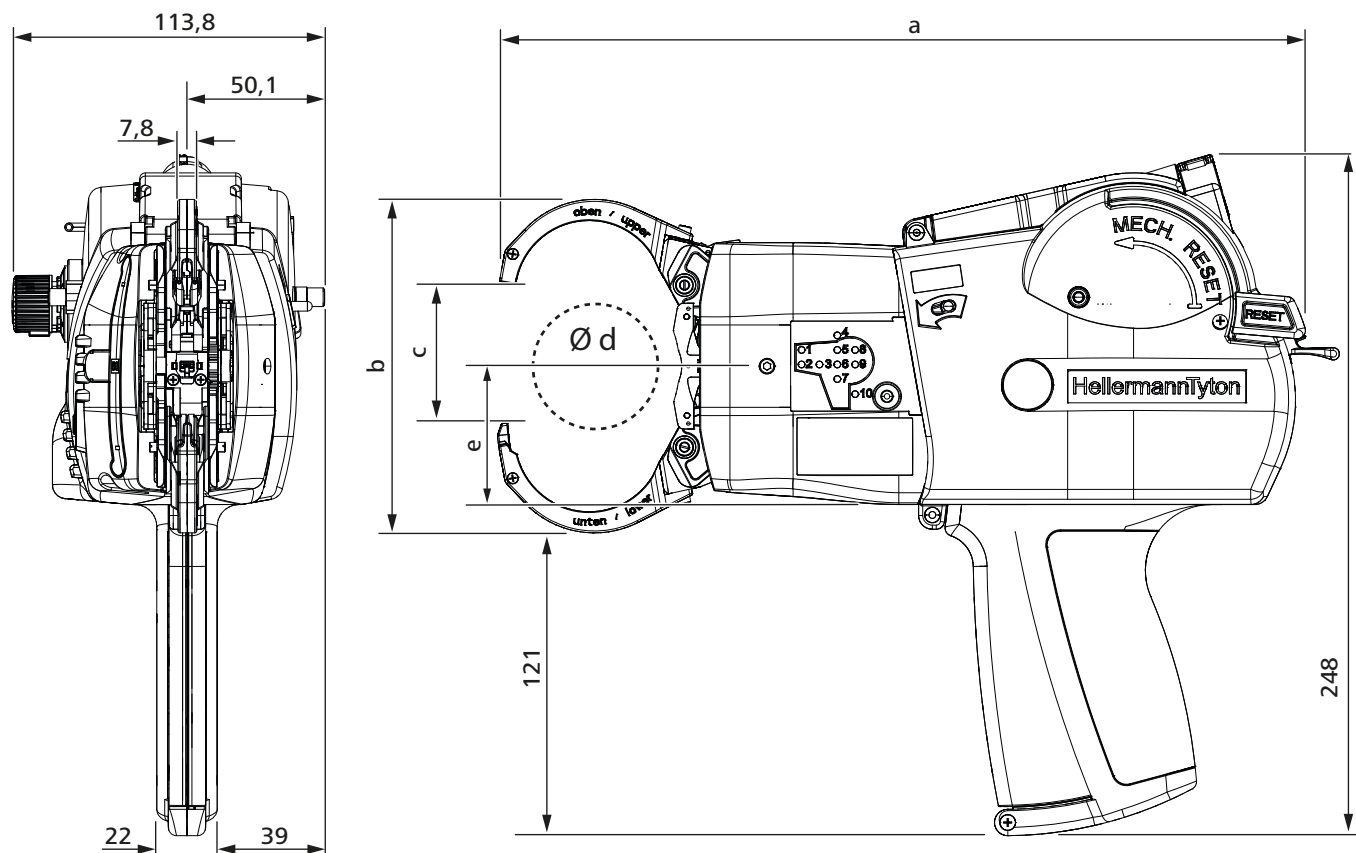
**Cut hazard. The ribbon knife is extremely sharp.**

- ▶ Never touch the cutting edge with your fingers.

- ▶ Loosen the screw **2** and remove with the end cap cover **3** from the reverse of the end cap **4**.
- ▶ Remove the ribbon knife **1** and clean with compressed air.
- ▶ Check the ribbon knife for damage and replace if necessary.
- ▶ Clean the end cap **4** with compressed air.
- ▶ Insert the ribbon knife **1** with positive locking.
- ▶ Insert the cover of the end cap **3** with the screw **2**.
- ▶ Tighten the screw **2**.
- ▶ Insert the end cap **4**, → "Clean end cap" on page 19.

## 9 Technical data

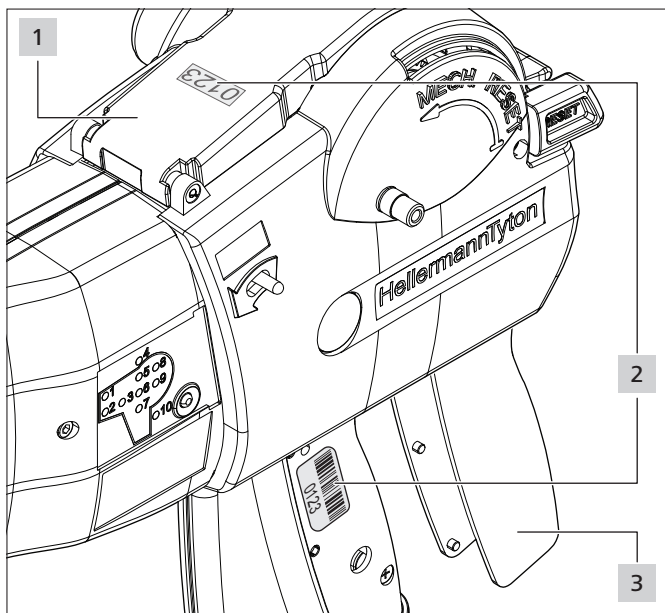
### 9.1 ATS3080



	Value	Jaws diameter 30 mm	Jaws diameter 50 mm	Jaws diameter 80 mm
Max. power draw		60 W		
Input voltage		48 V		
Weight		approx. 1900 g		
Bundle thickness	diameter d	30 mm	50 mm	80 mm
Dimensions	a	272 mm	293 mm	329 mm
	b	Max. 111 mm	Max. 134 mm	Max. 175 mm
	c	Max. 64 mm	Max. 68 mm	Max. 80 mm
	e	Max. 50 mm	Max. 50 mm	Max. 50 mm

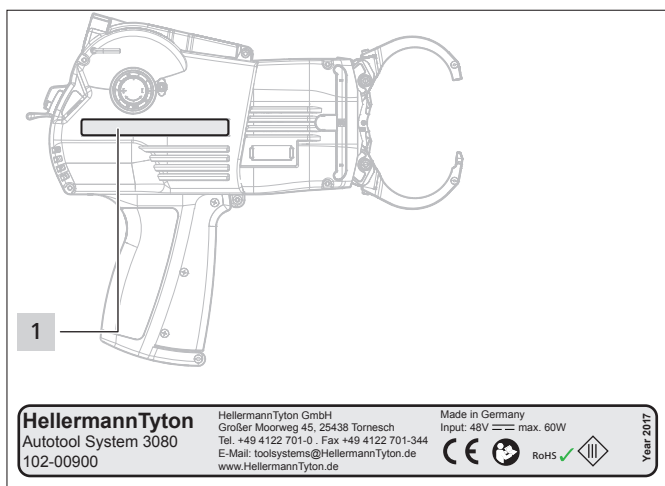


### 9.1.1 Serial number



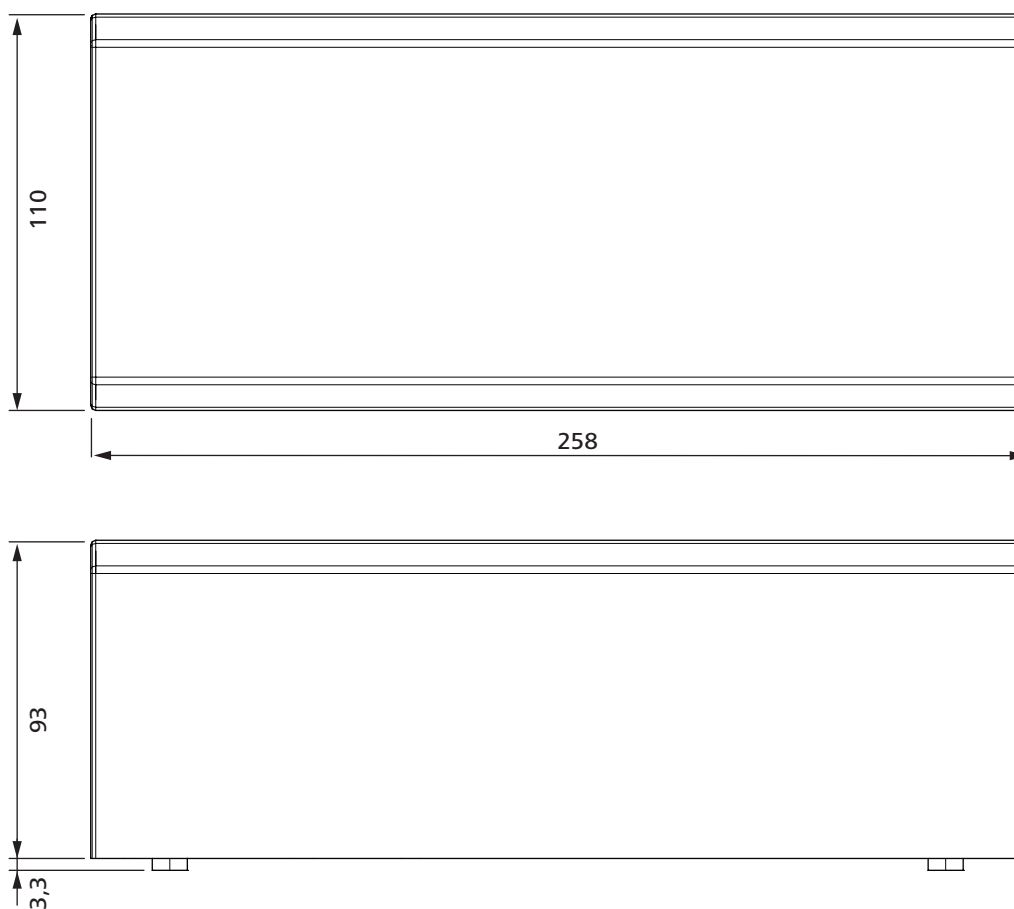
The serial number **2** of the ATS3080 is under the grip cover **3** and on the inside of the cover **1**.

### 9.1.2 Nameplate



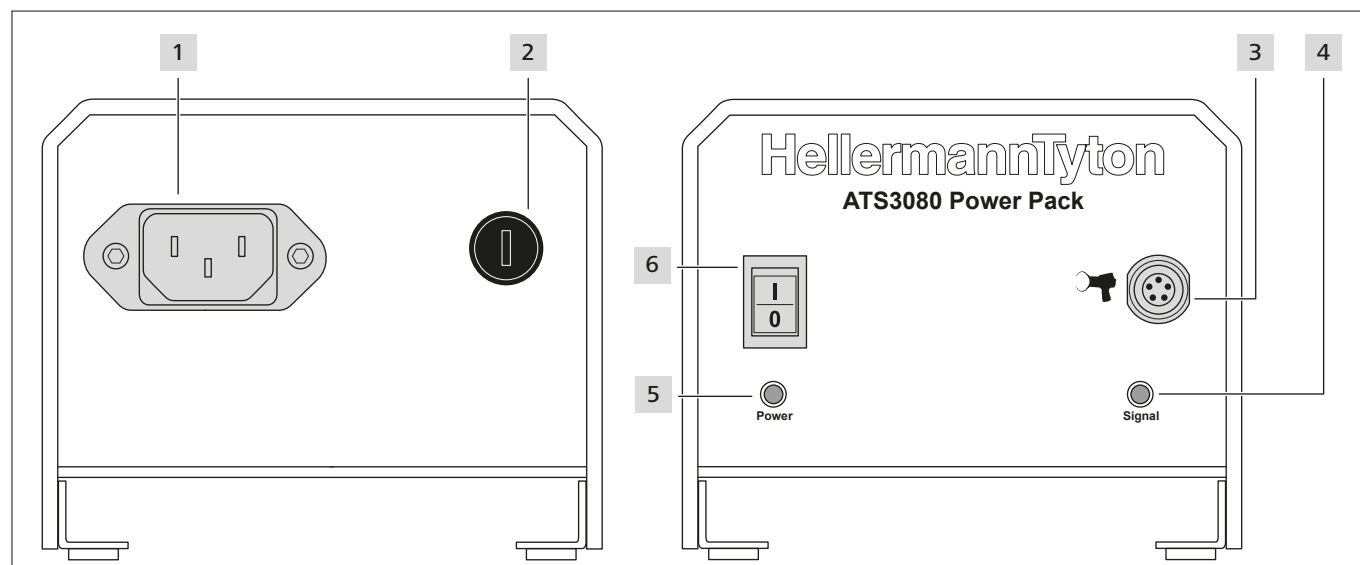
The nameplate **1** is on the right side of the housing.

## 9.2 Power pack 3080



	Value
<b>Line voltage</b>	100 V – 230 V
<b>Line frequency</b>	50/60 Hz
<b>Protection class</b>	I
<b>Dimensions L x W x H</b>	approx. 260 mm x 110 mm x 93 mm
<b>Weight</b>	approx. 1500 g
<b>Connecting cable and plug</b>	Certified as per UL 1977

### 9.3 Interface overview, power pack 3080



- 1 Socket for power cable
- 2 Fuse
- 3 Socket for connection to AT3080 or to the control boxes
- 4 **Signal LED**  
**Green:** Operating voltage applied
- 5 LED indicator **Power**  
**Green:** power pack 3080 switched on
- 6 Main switch

### 9.4 Tie heads and tie ribbons

- Tie ribbon (500 m × 4.5 mm × 1.2 mm (L × W × H)) of type PA66HIRHSUV
- Tie heads (5000 items, each 9.0 mm × 8.0 mm × 5.4 mm (L × W × H)) of type PA66HSUV

### 9.5 Noise and vibration information

<b>Emission sound pressure level</b> $L_{pA}$ <b>Uncertainty <math>K_{pA}</math></b>	71 dB re20 $\mu$ Pa 3 dB
<b>Sound power level <math>L_{WA}</math></b> <b>Uncertainty <math>K_{WA}</math></b>	82 dB re1 pW 3 dB
<b>Aggregate figure for vibration <math>a_r</math></b> <b>Uncertainty K</b>	1.0 m/s <sup>2</sup> 1.5 m/s <sup>2</sup>

**i** The vibration level as stated here is a measured value obtained by the standardised method set out in EN 62841-1:2015; it can be used for the purposes of device comparison.

The figure for vibration stated here is for the power tool in conditions of its intended use and may differ from the actual figure for the power tool if it is used differently or not adequately serviced.

Accurately estimating vibration load over a certain work period entails making due allowance for the times during which the device is switched off or running, but not actually in use. This can reduce vibration load over the entire work period by a significant margin.

- Implement additional safety measures to protect the operator from the effects of vibration, for example:
  - Servicing of power tools and use tools
  - Keeping hands warm
  - Workflow organisation.

## 10 Declarations of conformity

## 10.1 ATS3080

# HellermannTyton

## EC - Confirmation

**AUTOTOOL SYSTEM 3080**  
**102-00000**

<b>Manufacturer:</b>	<b>HellermannTyton GmbH</b>
<b>Street:</b>	Großer Moorweg 45
<b>Postal Code / City:</b>	25436 Tornesch
<b>Country:</b>	Germany
<b>Telefon:</b>	+49 4122/701-1
<b>Fax:</b>	+49 4122/701-400

We herewith declare, that the design and construction of the product:

**Name:** Autotool System 3080

**Product Type:** Bundle tool

**Machine Type:** Electronic bundle tool

**Serial Number:** \_\_\_\_\_

meets the elementary safety and health requirements of the EC rules:

**Machinery Directive 2006/42/EC**  
**Low Voltage Directive 2014/35/EU**


The following harmonized standards have been applied accordingly:

**EN 60745-1:2009 + A11:2010**


Tornesch, 17.12.2018

**HellermannTyton GmbH**

i. V.

  
Hagen Spieß  
Head of Product Development

i. V.

  
Martin Burmeister  
Safety Engineer

This confirmation corresponds to a manufacturer declaration in terms of the EC machine rule 2006/42/EG, annex II A. Any alterations of the described product makes this declaration invalid.

## 10.2 Power pack 3080

# HellermannTyton

## EC - Confirmation

**POWER PACK 3080**  
**102-00100**

Manufacturer: **HellermannTyton GmbH**  
Street: Großes Moorweg 45  
Postal Code / City: 25436 Tornesch  
Country: Germany  
Telefon: +49 4122/701-1  
Fax: +49 4122/701-400

We herewith declare, that the design and construction of the product:

**Name:** Power Pack 3080  
**Product Type:** Power Pack  
**Machine Type:** Power Supply Unit (DC)  
**Serial Number:** \_\_\_\_\_

meets the elementary safety and health requirements of the EC rules:

**Low Voltage Directive 2014/35/EU**

The following harmonized standards have been applied accordingly:

**EN 60950-1:2006 + A11:2009 + A1:2010 + A12:2011 + A2:2013**

Tornesch, 05.12.2018

**HellermannTyton GmbH**

i. V.

  
Hagen Spiess  
Head of Product Development

i. V.

  
Martin Burmeister  
Safety Engineer

This confirmation corresponds to a manufacturer declaration in terms of the EC machine rule 2006/42/EG, annex II A. Any alterations of the described product makes this declaration invalid.

# HellermannTyton operates globally in 37 countries



## Europe

**HellermannTyton GmbH – Austria**  
Rennbahnweg 65  
1220 Vienna  
Tel.: +43 12 59 99 55-0  
Fax: +43 12 59 99 11  
Email: office@HellermannTyton.at  
www.HellermannTyton.at

**HellermannTyton – Bulgaria**  
Email: officeBG@HellermannTyton.at  
www.HellermannTyton.at

**HellermannTyton – Czech Republic**  
Email: officeCZ@HellermannTyton.at  
www.HellermannTyton.cz

**HellermannTyton – Denmark**  
Industrivej 44A, 1.  
4000 Roskilde  
Tel.: +45 702 371 20  
Fax: +45 702 371 21  
Email: htdk@HellermannTyton.dk  
www.HellermannTyton.dk

**HellermannTyton – Finland**  
Äyritie 12 B  
01510 Vantaa  
Tel.: +358 9 8700 450  
Fax: +358 9 8700 4520  
Email: myynti@HellermannTyton.fi  
www.HellermannTyton.fi

**HellermannTyton S.A.S. – France**  
2 rue des Hêtres – CS 80543  
78197 Trappes Cedex  
Tel.: +33 1 30 13 80 00  
Fax: +33 1 30 13 80 60  
Email: info@HellermannTyton.fr  
www.HellermannTyton.fr

**HellermannTyton GmbH – Germany**  
Großer Moorweg 45  
25436 Tornesch  
Tel.: +49 4122 701-0  
Fax: +49 4122 701-400  
Email: info@HellermannTyton.de  
www.HellermannTyton.de

**HellermannTyton KFT – Hungary**  
Kisfaludy u. 13  
1044 Budapest  
Tel.: +36 1 369 4151  
Fax: +36 1 369 4151  
Email: officeHU@HellermannTyton.at  
www.HellermannTyton.hu

**HellermannTyton Ltd – Ireland**  
Unit A5 Cherry Orchard  
Business Park  
Ballyfermot, Dublin 10  
Tel.: +353 1 626 8267  
Fax: +353 1 626 8022  
Email: sales@HellermannTyton.ie  
www.HellermannTyton.co.uk

**HellermannTyton S.r.l. – Italy**  
Via Visco, 3/5  
35010 Limena (PD)  
Tel.: +39 049 767 870  
Fax: +39 049 767 985  
Email: info@HellermannTyton.it  
www.HellermannTyton.it

**HellermannTyton B.V. – Belgium/Netherlands**  
Vanadiumweg 11-C  
3812 PX Amersfoort  
Tel.: +31 33 460 06 90  
Fax: +31 33 460 06 99  
Email (NL): info@HellermannTyton.nl  
Email (BE): info@HellermannTyton.be  
www.HellermannTyton.nl  
www.HellermannTyton.be

**HellermannTyton AS – Norway**  
Nils Hansens vei 13  
0667 Oslo  
Tel.: +47 23 17 47 00  
Fax: +47 22 97 09 70  
Email: firmapost@HellermannTyton.no  
www.HellermannTyton.no

**HellermannTyton Sp. z o.o. – Poland**  
Kotunia 111  
62-400 Słupca  
Tel.: +48 63 2237 111  
Fax: +48 63 2237 110  
Email: info@HellermannTyton.pl  
www.HellermannTyton.pl

**HellermannTyton – Romania**  
Email: officeRO@HellermannTyton.at  
www.HellermannTyton.at

**OOO HellermannTyton – Russia**  
40/4, Pulkovskoe road  
BC Technopolis Pulkovo, office A 8081  
196158, St. Petersburg  
Tel.: +7 812 386 00 09  
Fax: +7 812 386 00 08  
Email: info@HellermannTyton.ru  
www.HellermannTyton.ru

**HellermannTyton – Slovenia**  
Branch Office Ljubljana  
Podružnica Ljubljana, Ukmarjeva 2  
1000 Ljubljana  
Tel.: +386 1 433 70 56  
Fax: +386 1 433 63 21  
Email: officeSI@HellermannTyton.at  
www.HellermannTyton.si

**HellermannTyton España s.l. – Spain / Portugal**  
Avda. de la Industria 37 2º 2  
28108 Alcobendas, Madrid  
Tel.: +34 91 661 2835  
Fax: +34 91 661 2368  
Email:  
HellermannTyton@HellermannTyton.es  
www.HellermannTyton.es

**HellermannTyton AB – Sweden**  
Isafjordsgatan 5  
16440 Kista  
Tel.: +46 8 580 890 00  
Fax: +46 8 580 348 02  
Email: kundsupport@HellermannTyton.se  
www.HellermannTyton.se

**HellermannTyton Engineering GmbH – Turkey**  
Saray Mah Dr. Adnan Büyükdüz Cad. No:4  
Akkom Office Park 2. Blok Kat: 10  
34768 Ümraniye-Istanbul  
Tel.: +90 216 687 03 40  
Fax: +90 216 250 32 32  
Email: info@HellermannTyton.com.tr  
www.HellermannTyton.com.tr

**HellermannTyton Ltd – UK**  
William Prance Road  
Plymouth International Medical  
and Technology Park  
Plymouth, Devon PL6 5WR  
Tel.: +44 1752 701 261  
Fax: +44 1752 790 058  
Email: info@HellermannTyton.co.uk  
www.HellermannTyton.co.uk

**HellermannTyton Ltd – UK**  
Sharston Green Business Park  
1 Robeson Way  
Wythenshawe, Manchester M22 4TY  
Tel.: +44 161 947 2200  
Fax: +44 161 947 2220  
Email: sales@HellermannTyton.co.uk  
www.HellermannTyton.co.uk

**HellermannTyton Ltd – UK**  
Cley Road, Kingswood Lakeside  
Canmock, Staffordshire  
WS11 8AA  
Tel.: +44 1543 728282  
Fax: +44 1543 728284  
Email: info@HellermannTyton.co.uk  
www.HellermannTyton.co.uk

**HellermannTyton Data Ltd – UK**  
Waterside House, Edgar Mobbs Way  
Northampton NN5 5JE  
Tel.: +44 1604 707 420  
Fax: +44 1604 705 454  
Email: sales@htdata.co.uk  
www.htdata.co.uk

## Middle East

**HellermannTyton – UAE**  
Email: info@HellermannTyton.ae  
www.HellermannTyton.ae

## North America

**HellermannTyton – Canada**  
Tel.: +1 905 726 1221  
Fax: +1 905 726 8538  
Email: sales@HellermannTyton.ca  
www.HellermannTyton.ca

**HellermannTyton – Mexico**  
Tel.: +52 333 133 9880  
Fax: +52 333 133 9861  
Email: info@HellermannTyton.com.mx  
www.HellermannTyton.com

**HellermannTyton – USA**  
Tel.: +1 414 355 1130  
Fax: +1 414 355 7341  
Email: corp@htamericas.com  
www.HellermannTyton.com

## South America

**HellermannTyton – Argentina**  
Tel.: +54 11 4754 5400  
Fax: +54 11 4752 0374  
Email: ventas@HellermannTyton.com.ar  
www.HellermannTyton.com.ar

**HellermannTyton – Brazil**  
Tel.: +55 11 4815 9000  
Fax: +55 11 4815 9030  
Email: vendas@HellermannTyton.com.br  
www.HellermannTyton.com.br

## Asia-Pacific

**HellermannTyton – Australia**  
Tel.: +61 2 9525 2133  
Fax: +61 2 9526 2495  
Email: cservice@HellermannTyton.com.au  
www.HellermannTyton.com.au

**HellermannTyton – China**  
Tel.: +86 510 8528 2536  
Fax: +86 510 8528 2731  
Email: cservice@HellermannTyton.com.cn  
www.HellermannTyton.com.cn

**HellermannTyton – Hong Kong**  
Tel.: +852 2831 9090  
Fax: +852 2832 9381  
Email: cservice@HellermannTyton.com.hk  
www.HellermannTyton.com.sg

**HellermannTyton – India**  
Tel.: +91 120 413 3384  
Email: cservice@HellermannTyton.co.in  
www.HellermannTyton.co.in

**HellermannTyton – Japan**  
Tel.: +81 3 5790 3111  
Fax: +81 3 5790 3112  
Email: mkt@hellermanntyton.co.jp  
www.HellermannTyton.co.jp

**HellermannTyton – Republic of Korea**  
Tel.: +82 32 833 8012  
Fax: +82 32 833 8013  
Email: cservice@HellermannTyton.co.kr  
www.HellermannTyton.co.kr

**HellermannTyton – Philippines**  
Tel.: +63 2 752 6551  
Fax: +63 2 752 6553  
Email: cservice@HellermannTyton.com.ph  
www.HellermannTyton.com.ph

**HellermannTyton – Singapore**  
Tel.: +65 6 586 1919  
Fax: +65 6 752 2527  
Email: cservice@HellermannTyton.sg  
www.HellermannTyton.com.sg

**HellermannTyton – Thailand**  
Tel.: +662 237 6702 / 266 0624  
Fax: +662 266 8664  
Email: cservice@HellermannTyton.co.th  
www.HellermannTyton.com.sg

## Africa

**HellermannTyton – South Africa**  
Tel.: +27 11 879 6600  
Fax: +27 11 879 6603  
Email: jhb.sales@Hellermann.co.za  
www.HellermannTyton.co.za