

Quick Installation Guide TT430

Getting started

Check that your delivery includes all of the following:

- Thermal transfer printer
- Power cable
- Product safety instructions
- RMA maintenance form
- Ribbon core
- USB cable
- CD-ROM (driver, operator manual, demo software)



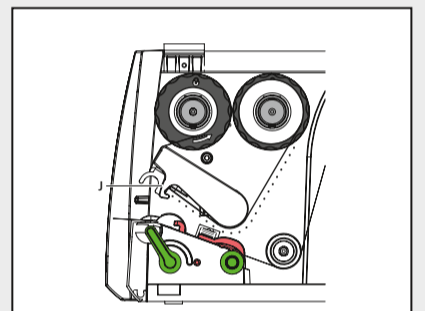
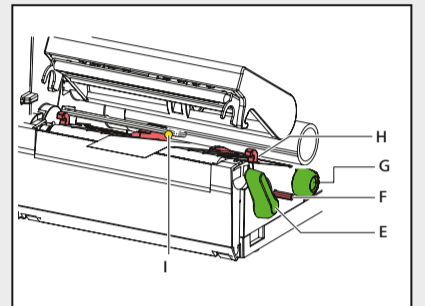
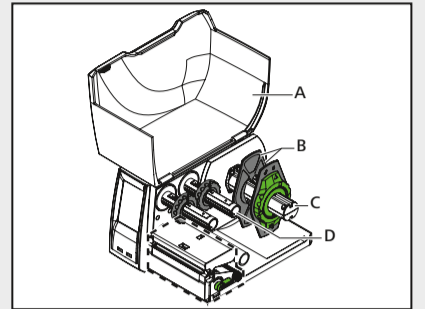
1

- Place the printer on a flat, stable surface
- Connect the device to the power supply
- Turn the printer on



2

- Open the cover (A)



Insert material



3

- Turn the ring counterclockwise to release the margin stop (B)
- Remove the margin stop (B)



4

- Load the consumable material onto the roll holder (C) – the printable side of the material needs to face up
- Turn the ring clockwise to close the margin stop (B)



5

- Guide the consumable material strip underneath the internal winder towards the print head



6

- Move and position the guides closely to the edges of the material by turning the knob (G) – do not squeeze the material



7

- The sensor position (I) is indicated by a yellow lamp
- Push on the knob (F) so that the knob pops out of the bore of the housing
- Position the sensor (I) by turning the knob (F) so it can detect the gaps between the labels or cut-out marks
- Push the knob (F) back into the bore of the housing until it snaps into place

Insert ribbon and start print



8

- Load the transfer ribbon onto the hub (D) - make sure it is centered
- The colour-coated side of the ribbon needs to face the consumable and not the printhead



9

- Guide the transfer ribbon through the printing unit as shown
- Stick the leading end of the colour ribbon to the ribbon core with adhesive tape
- Turn the colour ribbon winder counterclockwise to smooth out the colour ribbon feed



10

- Close the printhead (J) by pressing it down with two fingers and turn the lever (E) clockwise to lock it



11

- Close the cover (A)



12

- Install the driver and the software TagPrint Pro
- The printer is ready for printing



Application Video