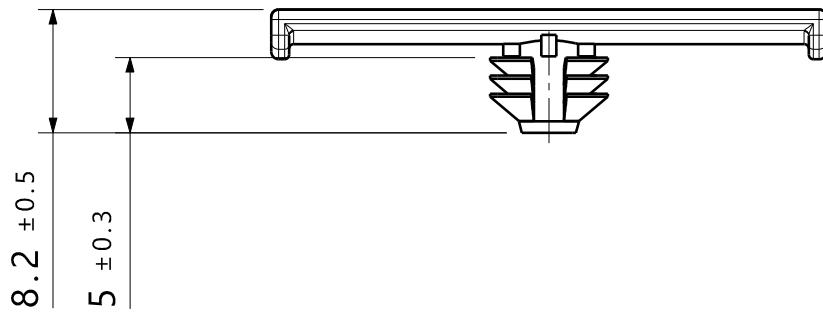
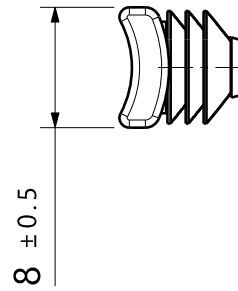
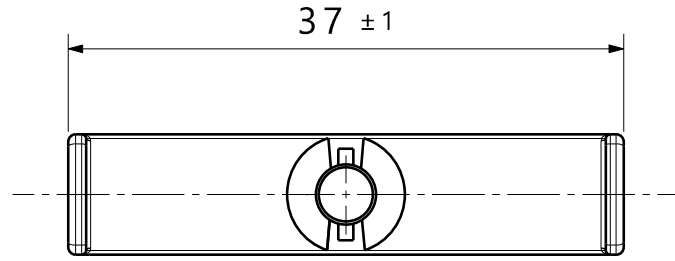


1:1



Printed copy for information only/
Ausdruck nur zur Information

Specification:

- Material: PA6.6
heatstabilized
impact modified
- Hole size: 6,75 mm ±0,35
- Panel thickness: 0,75 - 1,5 mm

The manufacturing-related geometry changes (injection point, ejectors marks, etc.) allowed. Design of the details are left to suppliers discretion.

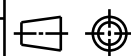
Spezifikation:

- Material: PA6.6
hitzestabilisiert,
schlagzaeh modifiziert
- Loch Ø: 6,75 mm ±0,35
- Blechdicke: 0,75 - 1,5 mm

Durch das Herstellverfahren bedingte Geometriaenderungen (Anspritzung, Auswerfermarkierungen, etc.) zulaessig. Einzelheiten der Ausfuehrung bleiben dem Hersteller ueberlassen.

Revision Level		
Drawing	State	Part
01.2	Design Release	1
Changed	Date (YYYY/MM/DD)	
C.Cordts	2023/01/19	
Approved	Date (YYYY/MM/DD)	
B.Schiwek	2023/01/19	

Revision Record
Drawing frame changed, drawing no. changed was 14.1531, drawing title changed



All drawing revisions are stored in CAD PDM database

The copyright of this drawing is reserved by HellermannTyton.

Drawn	Date (YYYY/MM/DD)
Mueller	2001/06/12
Approved	Date (YYYY/MM/DD)
Suck	2001/06/12

Units
mm

HellermannTyton
www.HellermannTyton.com

Title	Scale
TC5FT6S	2:1
Drawing-No	Global Project Number
00-0955-001-CSG	00-0955
	Format A3
	Sheet 1 / 1