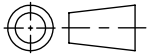
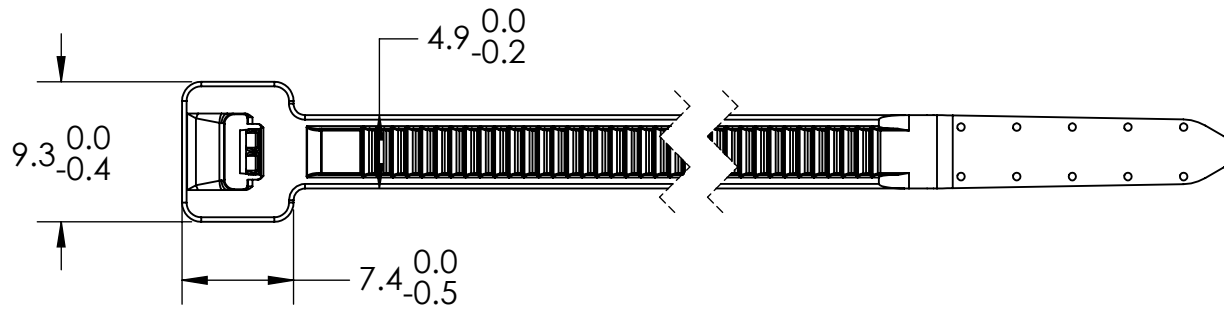
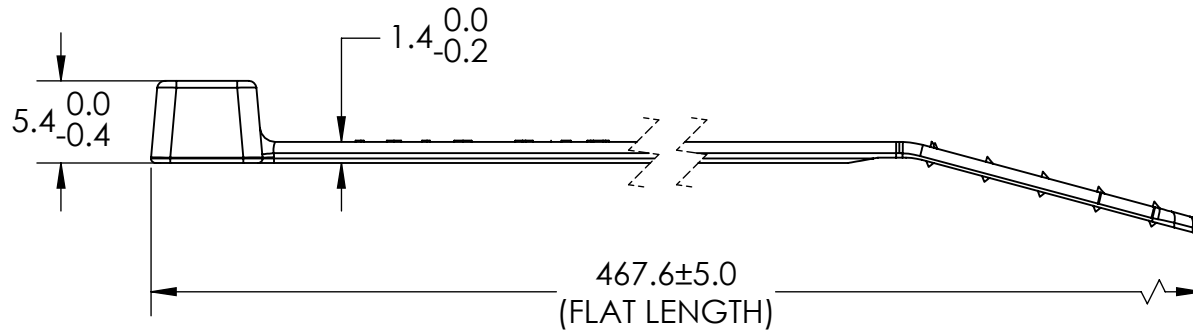


SW2011



Revision level		Revision Record	Changed	Date	Approved	Date
Drawing	Part					
01	-	SEE ECN# 012274	WPT	02/14/2013	WPT	02/14/2013



TYPE	CABLE RANGE	MATERIAL	MIN LOOP TENSILE STRENGTH (N)
T50XL(US)	1.5 to 134	PA66	225
		PA66HIRHSUV	225
		PA66HS	225
		PA66UV	225
		PA46	225
		PA66HSUV	225
		PA66VO	225
		POM	200

01

Material SEE TABLE	Units: millimeters	The copyright of this drawing is reserved by HellermannTyton. It is issued on condition that it is not reproduced, copied, or disclosed to a third party, either wholly or in part, without the consent of HellermannTyton.	Drawn	WPT	10/18/2012	Article/Type-No	T50XL(US)	Scale	2:1	
	Tolerance defined on each dimension		Approved	WPT	11/01/2012	Title	T50XL(US) STANDARD CABLE TIE		Project Number	PRP 12-0650
			HellermannTyton North America Email: corp@htamericas.com Web: www.hellermann.tyton.com			Drawing-No	Pre-Production : Phase		Format	AH
						12-0650-001-CSU			Sheet	1/1