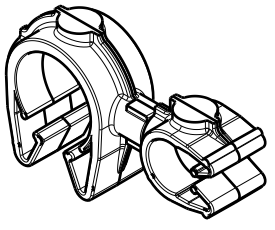
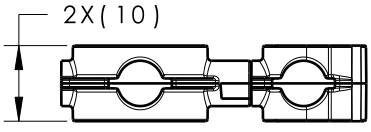
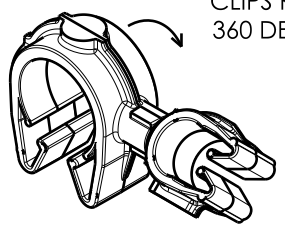
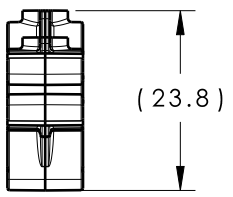
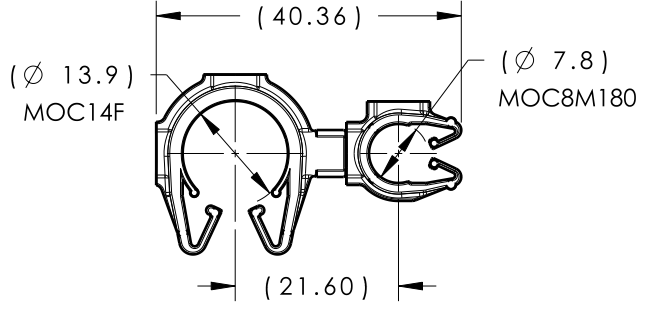


Revision Level			Revision Record	Changed	Date	Approved	Date
Drawing	State	Part					
00.0	Design Release	-	SEE ECN# 014906	HDC	02/01/19	TAT	02/01/19



ISOMETRIC VIEW



CLIPS ROTATE 360 DEGREES

ISOMETRIC VIEW ROTATED

TYPE	MOC14F	MOC8M180
HARNESS	13.0MM-15.0MM	7.0MM-8.5MM
HOSE	13.0MM-15.0MM	7.0MM-8.5MM
HARD PIPE/TUBE	14.0MM-15.8MM	7.9MM-8.5MM

*RECOMMENDED SIZES MAY DIFFER DEPENDING ON THE APPLICATION, PRODUCT REQUIREMENTS AND MATERIALS USED

PATENT PENDING 29/582,271

GLOBAL PART DESCRIPTION	MOC14F**			MOC8M180		
	DRAWING	MATERIAL	COLOR	DRAWING	MATERIAL	COLOR
MOC14FMOC8M180-PA66HIRHSUV-BK	16-0320-000-CSU	PA66HIRHSUV	BLACK	16-0316-000-CSU	PA66HIRHSUV	BLACK

Material SEE CHART COLOR: SEE CHART	Units	millimeters	The copyright of this drawing is reserved by HellermannTyton. It is issued on condition that it is not reproduced, copied or disclosed to a third party, either wholly or in part, without the consent of HellermannTyton.	Drawn	HDC	02/01/19	Article/Type-No	MOC14FMOC8M180		Scale	1:1
	Tolerance defined on each dimension	Approved		TAT	02/01/19	Title		14MM MOC COUPLED TO A 8MM MOC		Project Number	16-0330
		HellermannTyton			Drawing-No		PRODUCTION : Phase		Format	AH	
							16-0330-425-CSU		Sheet	1/1	
			North America Email: corp@htamericas.com Web: www.hellermann.tyton.com								