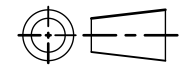
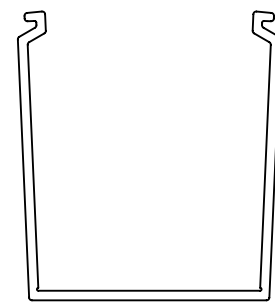


SW2015



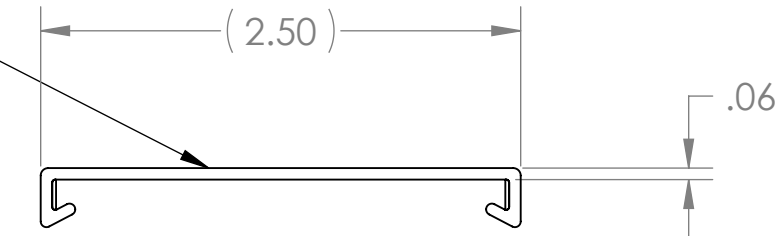
SCALE 1:2

Revision level			Revision Record	Changed	Date	Approved	Date
Drawing	State	Part					
03.1	Design Release	-	SEE ECN# 100037	GAL	4/13/2017	KAC	4/13/2017

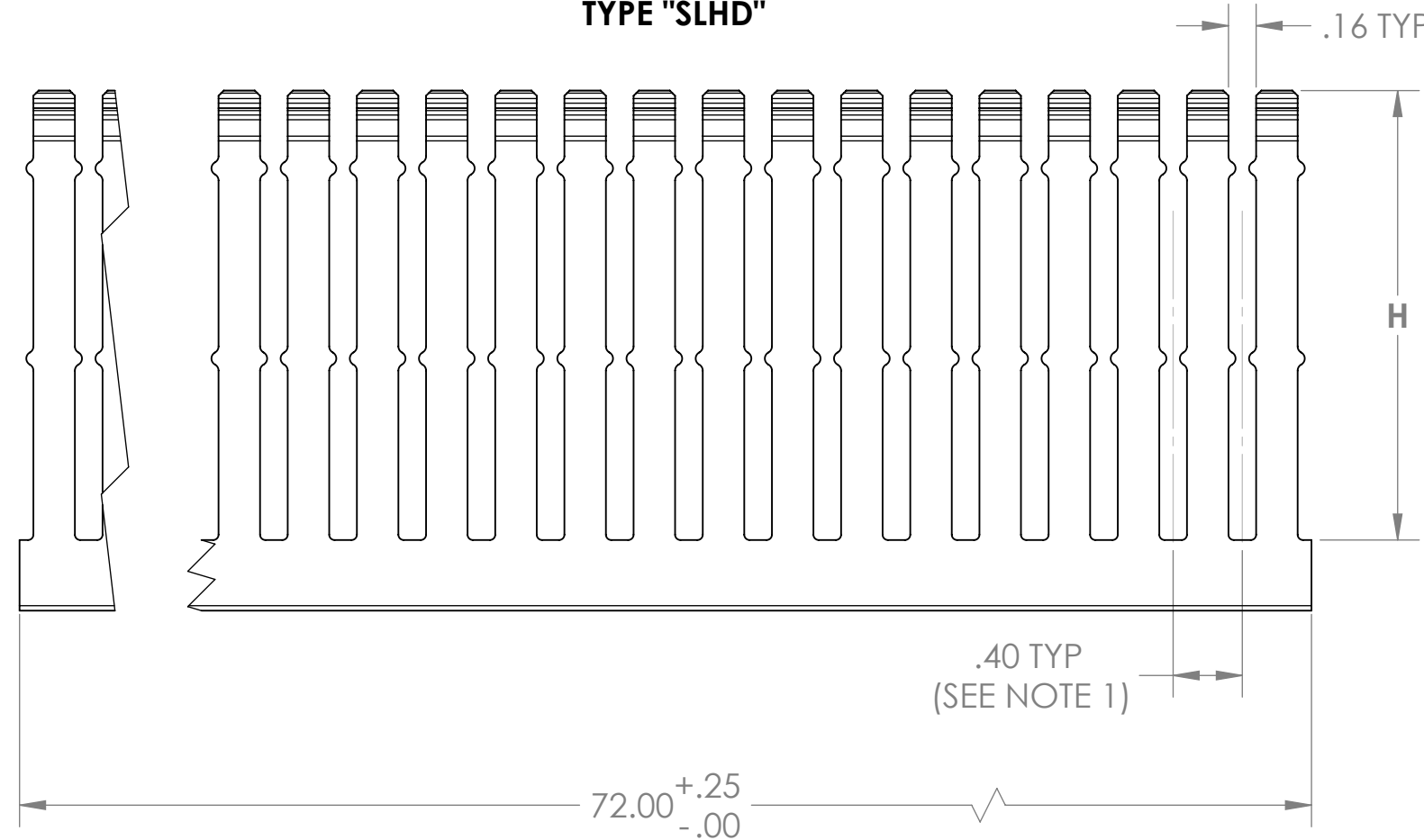


2.5X3

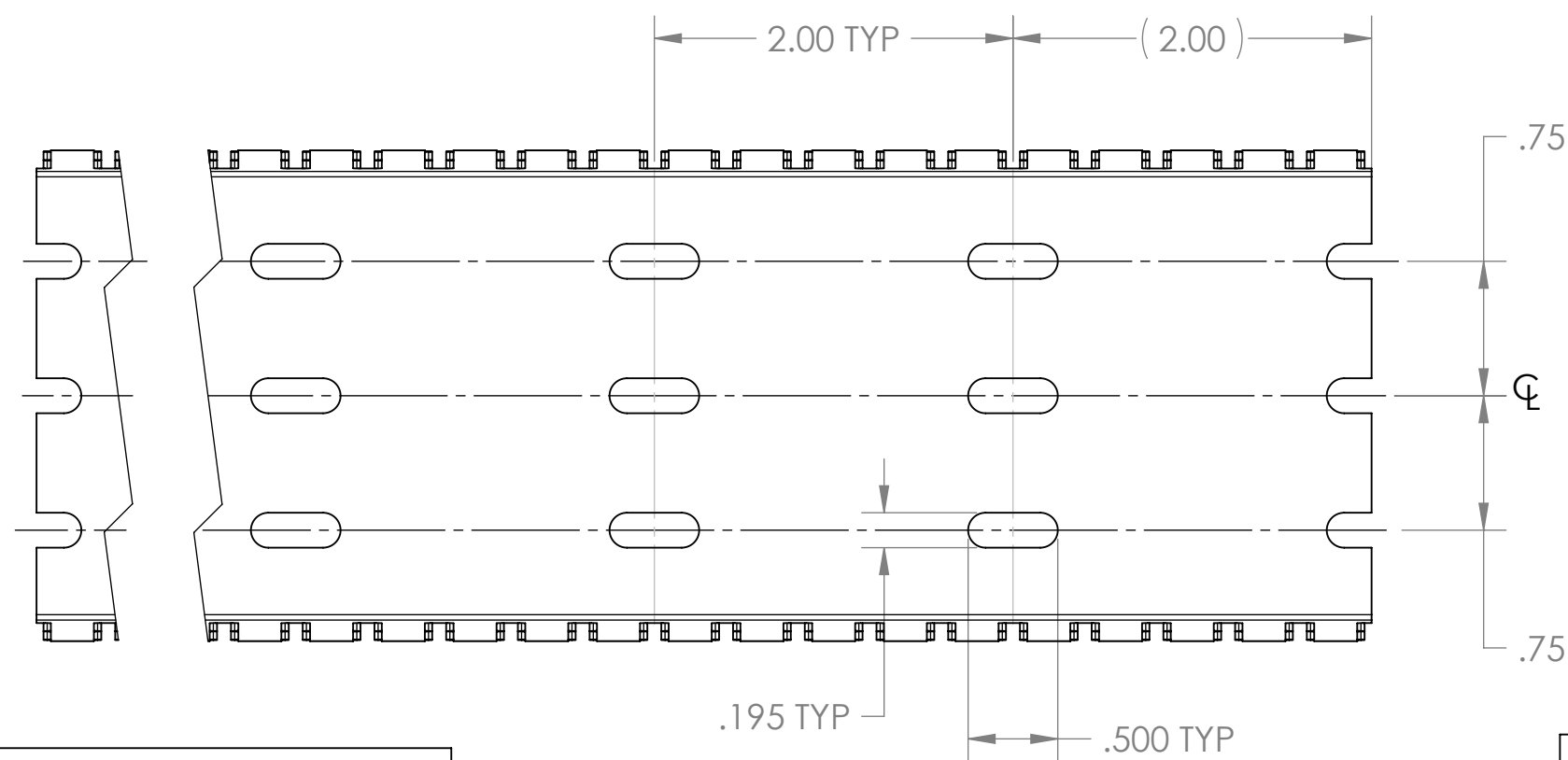
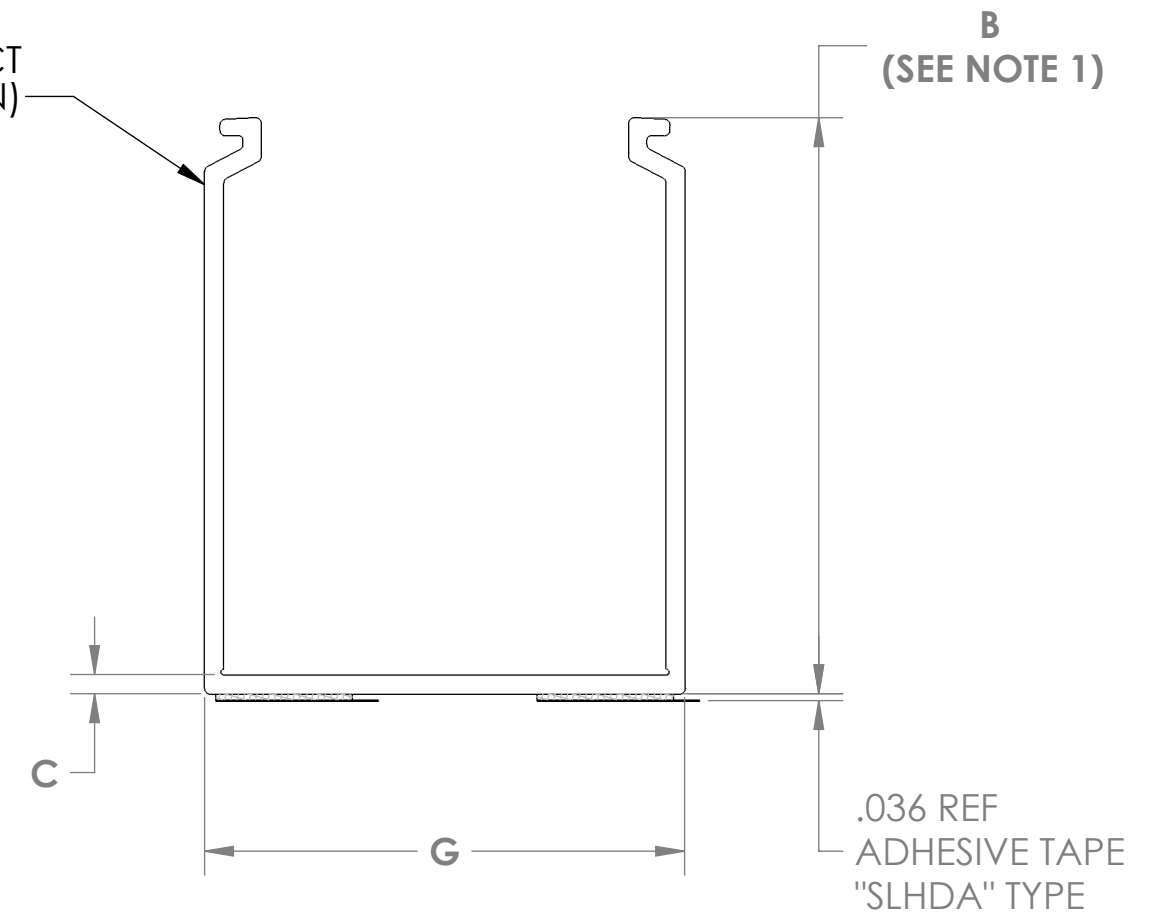
COVER WITH REMOVABLE PROTECTIVE FILM



SLOTTED WALL DUCT TYPE "SLHD"



DUCT (2.5X3 SHOWN)



DUCT SIZE (WxH)	DUCT AREA (Sq. In.)	50% WIRE FILL CAPACITY								
		WIRE O.D.								
							TWISTED PAIR 24 AWG UNSHIELDED			
		12AWG	14AWG	16AWG	18AWG	22AWG	4 Pr. Cat 5e	4 Pr. Cat 6	4 Pr. Cat 6a	
		.158	.165	.139	.125	.113	.065	.217	.240	.354
2.5X3	6.564	167	154	216	268	327	990	89	73	33

TYPE NUMBER	DESCRIPTION	MOUNTING METHOD	B (SEE NOTE 1)	C	G	H
TC2.5	COVER	-	-	-		-
SLHD2.5X3	HD SLOTTED DUCT	SCREW	3.009 +.035/-0.020	.100 +/- .007	2.500 +.060/-0.025	2.600 ±.015
SLHDA2.5X3	HD SLOTTED DUCT W/ADHES.	ADHESIVE TAPE	3.009 +.035/-0.020	.100 +/- .007	2.500 +.060/-0.025	2.600 ±.015

Notes
1) BOTH SIDES ALIKE WITHIN .015

Material
PVC
AVAILABLE IN WHITE,
GRAY, BLACK, OR BLUE
CONSULT FACTORY FOR
OTHER COLORS
RoHS COMPLIANT

Units: inches
Dimension without tolerances details to:
.xxxx = ±.0005
.xxx = ±.005
.xx = ±.01
.x = ±.03
None = ±.06
≤ = ±0.5'
Dimension Formatted in [mm]

The copyright of this drawing is reserved by HellermannTyton. It is issued on condition that it is not reproduced, copied, or disclosed to a third party, either wholly or in part, without the consent of HellermannTyton.

Drawn: KAC 10/27/2010
Approved: [Signature]
HellermannTyton
North America
Email: corp@htamericas.com
Web: www.hellermann.tyton.com

Article/Type-No: SEE CHART
Title: 2.5" WIDE SLHD, SLHDA DUCT WITH COVER
Drawing-No: DT07-021-253CST
Production: Phase
Scale: 1:1
Project Number: PRP07-021
Format: C
Sheet: 1/1