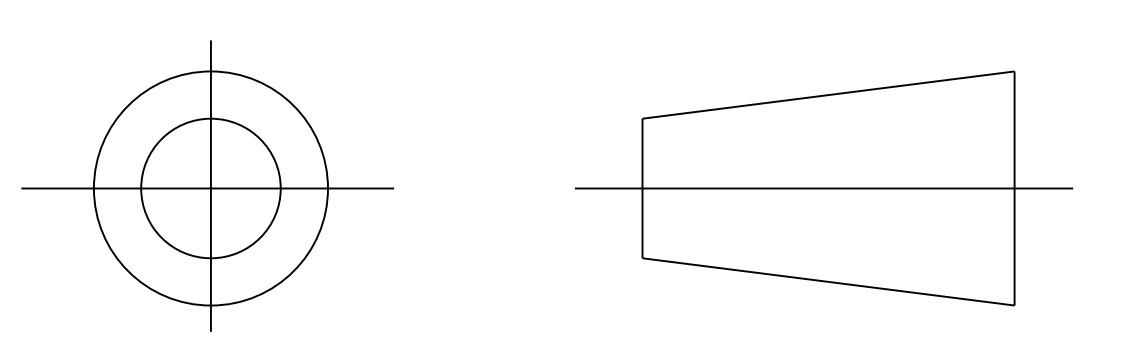


DRAWING No.
152087

SHT. 1
OF
1 SHTS.

THE COPYRIGHT OF THIS DRAWING IS RESERVED BY HELLERMANN TYTON. IT IS ISSUED ON CONDITION THAT IT IS NOT COPIED, REPRODUCED OR DISCLOSED TO A THIRD PARTY EITHER WHOLLY OR IN PART WITHOUT THE CONSENT IN WRITING OF HELLERMANN TYTON.

THIRD ANGLE PROJECTION

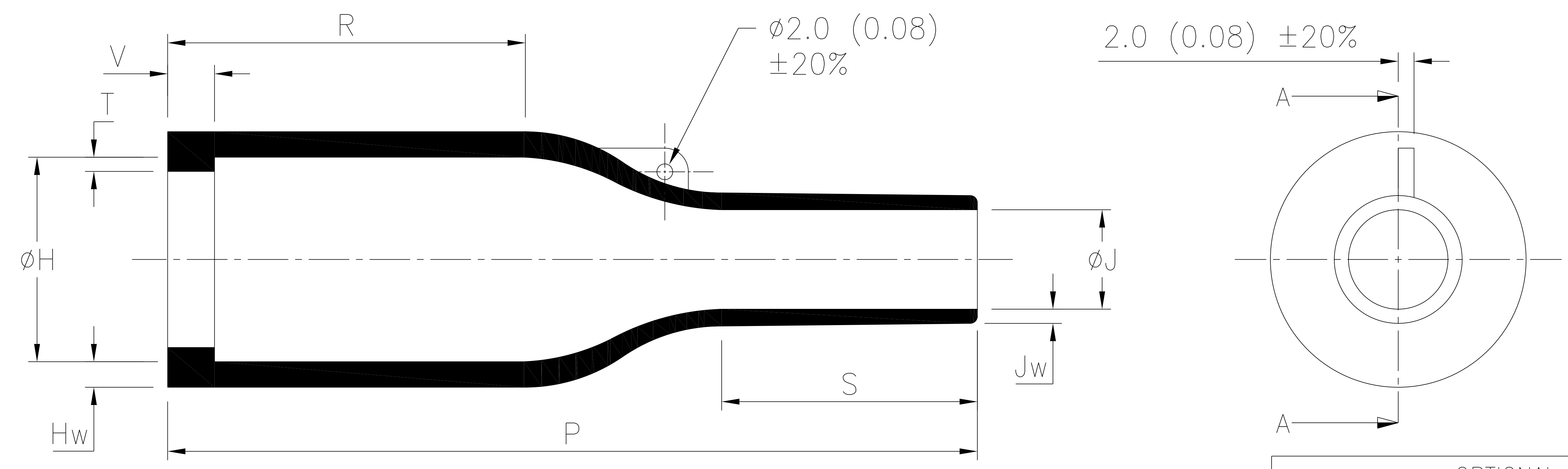


BS 8888

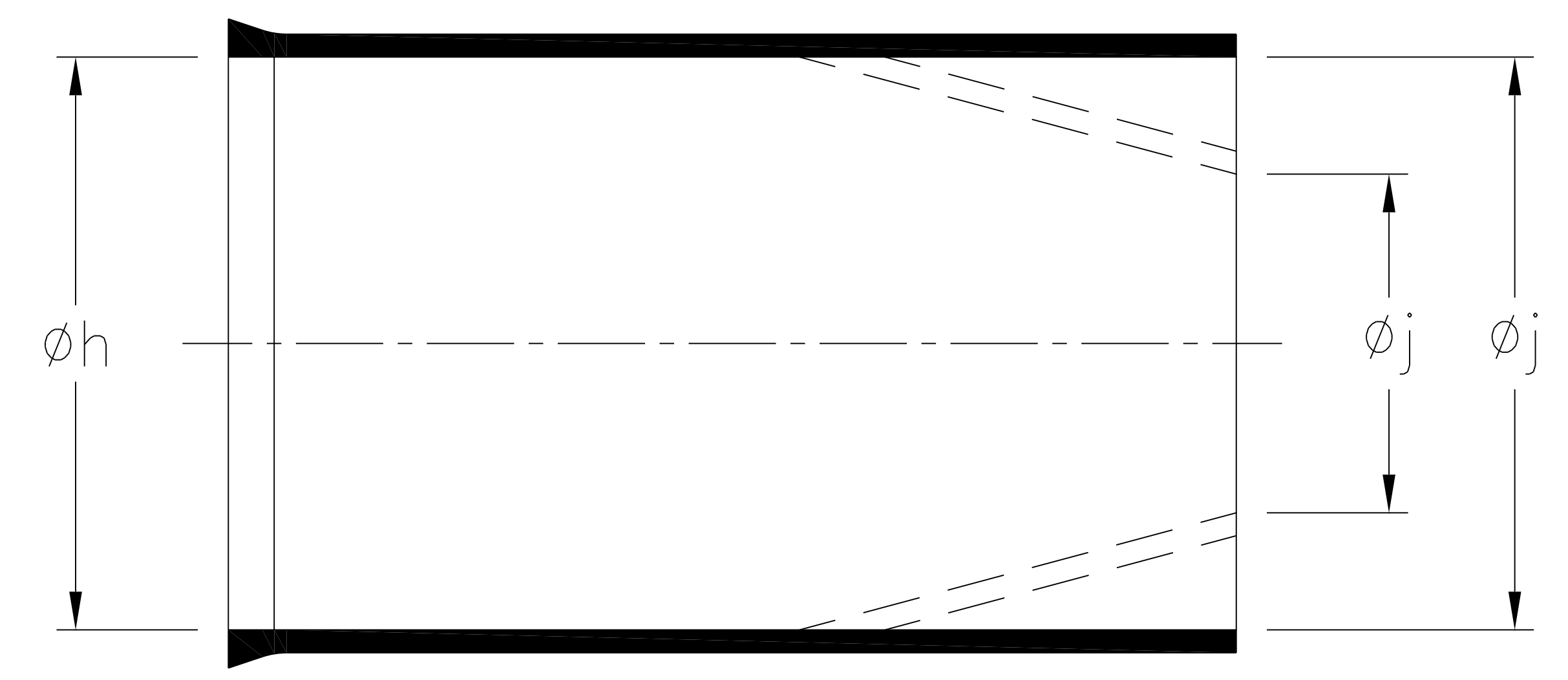
DO NOT SCALE
IF IN DOUBT ASK

Q.A.	H/S SETT
H/S Q.A.	REL. INSP.
H/S PROD	EXT. ISS. CODE
5/712	

STANDARD PART (AFTER UNRESTRICTED RECOVERY)



EXPANDED (AS SUPPLIED)



DASHED LINE INDICATES 156-45, -46, -51, -52, -61 AND -62 EXPANSION

SECTION A-A

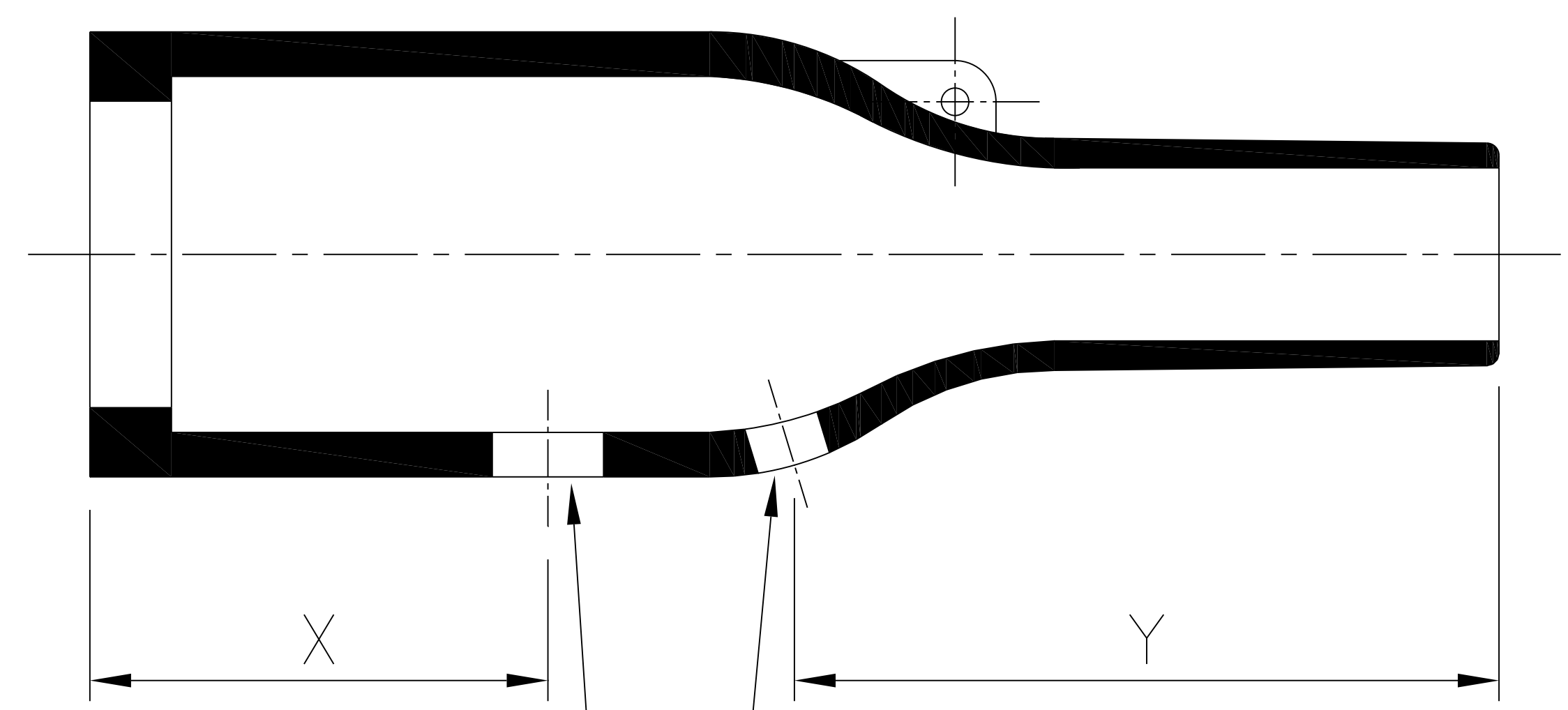
SPEC.	PART No.	EXPANDED DIAMETERS (AS SUPPLIED)		RECOVERED DIAMETERS		RECOVERED DIMENSIONS						
		phi_h	phi_j	phi_H	phi_J	P	R	S	T	V	Hw	Jw
		MIN	MIN	MAX	MAX	±10%	NOM	NOM	±20%	MAX	±20%	±30%
VG 95343 T06A005A	156-41	36 (1.42)	36 (1.42)	22.5 (0.88)	8.5 (0.33)	60 (2.36)	22 (0.87)	20 (0.79)	1.0 (0.04)	3.3 (0.13)	2.0 (0.08)	1.0 (0.04)
VG 95343 T06B005A	156-42	36 (1.42)	36 (1.42)	22.5 (0.88)	8.5 (0.33)	80 (3.15)	42 (1.65)	20 (0.79)	1.0 (0.04)	3.3 (0.13)	2.0 (0.08)	1.0 (0.04)
-	156-45	26 (1.02)	12 (0.47)	22.5 (0.88)	8.5 (0.33)	60 (2.36)	22 (0.87)	20 (0.79)	1.0 (0.04)	3.3 (0.13)	2.0 (0.08)	1.0 (0.04)
-	156-46	26 (1.02)	12 (0.47)	22.5 (0.88)	8.5 (0.33)	80 (3.15)	42 (1.65)	20 (0.79)	1.0 (0.04)	3.3 (0.13)	2.0 (0.08)	1.0 (0.04)
-	156-51	34 (1.34)	17 (0.67)	22.5 (0.88)	8.5 (0.33)	60 (2.36)	22 (0.87)	20 (0.79)	1.0 (0.04)	3.3 (0.13)	2.0 (0.08)	1.1 (0.04)
-	156-52	34 (1.34)	17 (0.67)	22.5 (0.88)	8.5 (0.33)	80 (3.15)	42 (1.65)	20 (0.79)	1.0 (0.04)	3.3 (0.13)	2.0 (0.08)	1.1 (0.04)
-	156-55	30 (1.18)	30 (1.18)	22.5 (0.88)	8.5 (0.33)	80 (3.15)	42 (1.65)	20 (0.79)	1.0 (0.04)	3.3 (0.13)	2.0 (0.08)	1.1 (0.04)
VG 95343 T29A005A	156-61	36 (1.42)	21 (0.83)	22.5 (0.88)	8.5 (0.33)	60 (2.36)	22 (0.87)	20 (0.79)	1.0 (0.04)	3.3 (0.13)	2.0 (0.08)	1.0 (0.04)
VG 95343 T29B005A	156-62	36 (1.42)	21 (0.83)	22.5 (0.88)	8.5 (0.33)	80 (3.15)	42 (1.65)	20 (0.79)	1.0 (0.04)	3.3 (0.13)	2.0 (0.08)	1.0 (0.04)
-	156-72	41 (1.61)	41 (1.61)	22.5 (0.88)	8.5 (0.33)	80 (3.15)	42 (1.65)	20 (0.79)	1.0 (0.04)	3.3 (0.13)	2.0 (0.08)	1.0 (0.04)

OPTIONAL FILLER PORT DETAIL

SPEC.	PART No.	RECOVERED DIMENSIONS	
		X	Y
		±20%	±20%
VG 95343 T07A005A	156-41	12 (0.47)	30 (1.18)
VG 95343 T07B005A	156-42	30 (1.18)	32 (1.26)
-	156-45	12 (0.47)	30 (1.18)
-	156-46	30 (1.18)	32 (1.26)
-	156-51	12 (0.47)	30 (1.18)
-	156-52	30 (1.18)	32 (1.26)
-	156-55	30 (1.18)	32 (1.26)
-	156-61	12 (0.47)	30 (1.18)
-	156-62	30 (1.18)	32 (1.26)
-	156-72	30 (1.18)	32 (1.26)

DRAWING OFFICE TO NOTIFY DATABASE ADMINISTRATOR TO UPDATE PART NUMBER IF DRAWING IS UP ISSUED.

OPTION TO STANDARD PART
FILLER PORT (CODE P)



1 FILLER PORT
ø4.5 NOM (0.18)
1 DRAIN HOLE
ø3.0 NOM (0.12)

For information only, not subject to technical changes.

7	P1609	KH	14/11/17
6	P1524	GB	22/10/15
5	P1499	GL	24/02/15
4	P1366	CM	25/11/11
3	P1362	DJC	05/10/11
ISSUE	NOTE No.	DRAWN	DATE

HellermannTyton
William Prance Road,
Plymouth International Med. & Tech. Park,
Plymouth, PL6 5WR
Tel ++44 (0) 1752 701261
Fax ++44 (0) 1752 790058

NAME	S.Almond	SCALE	NTS	ADHESIVE	A3 ORIGINAL SHEET SIZE 420mm x 297mm	SHT. 1 OF 1 SHTS.
DATE	14/04/08	DIMS IN	mm (in)			
TITLE	BOTTLE SLEEVE		PART No.	156	DRAWING No.	152087