

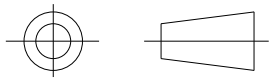
Heatshrinkable moulded shapes bulbous Right-Angle Shapes, VG style - HellermannTyton

DRAWING No.  
152096

SHT. 1  
OF  
1 SHTS.

© THE COPYRIGHT OF THIS DRAWING IS RESERVED BY HELLERMANN TYTON. IT IS ISSUED ON CONDITION THAT IT IS NOT COPIED, REPRODUCED OR DISCLOSED TO A THIRD PARTY EITHER WHOLLY OR IN PART WITHOUT THE CONSENT IN WRITING OF HELLERMANN TYTON.

THIRD ANGLE PROJECTION

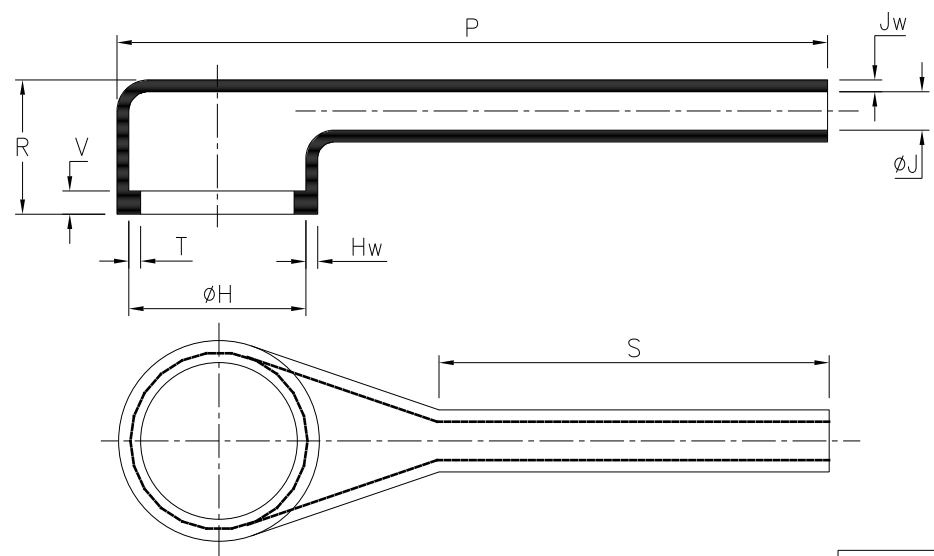


BS 8888

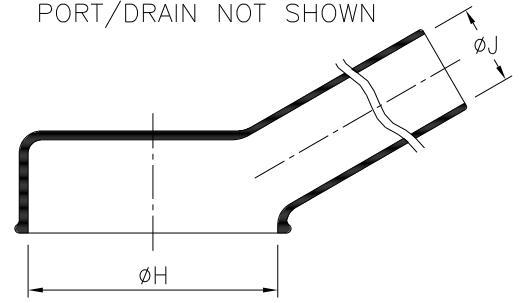
DO NOT SCALE  
IF IN DOUBT ASK

Q.A.	H/S SETT
H/S Q.A.	REL. INSP.
H/S PROD	EXT.ISS.CODE

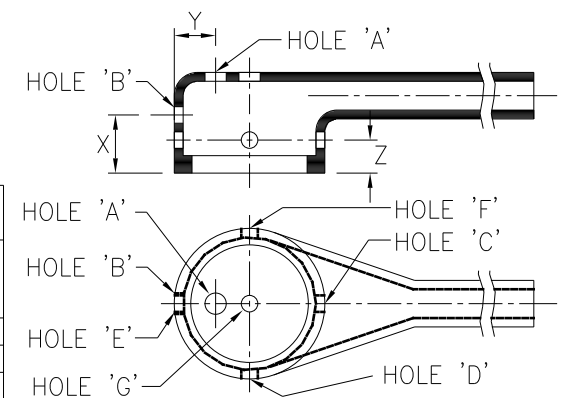
STANDARD PART (AFTER UNRESTRICTED RECOVERY)



EXPANDED (AS SUPPLIED)  
PORT/DRAIN NOT SHOWN



OPTIONS TO STANDARD PART  
FILLER PORT HOLES (CODES P, P1 and D)



SPEC.	PART NO.	EXPANDED DIAMETERS (AS SUPPLIED)		RECOVERED DIAMETERS		RECOVERED DIMENSIONS						
		øh	øj	øH	øJ	P	R	S	T	V	Hw	Jw
		MIN	MIN	MAX	MAX	±10%	±10%	NOM	±20%	MAX	±20%	±30%
VG 95343 T06F011A	1133-1	19 (.75)	6 (.24)	13 (.51)	2.0 (.08)	45 (1.77)	16 (.63)	22 (.87)	1.0 (.04)	3.3 (.13)	1.5 (.06)	1.1 (.04)
-	1133-2	19 (.75)	6 (.24)	13 (.51)	2.0 (.08)	30 (1.18)	16 (.63)	7 (.28)	1.0 (.04)	3.3 (.13)	1.5 (.06)	1.1 (.04)
-	1133-3	19 (.75)	4 (.16)	13 (.51)	2.0 (.08)	45 (1.77)	16 (.63)	22 (.87)	1.0 (.04)	3.3 (.13)	1.5 (.06)	1.1 (.04)
GARRETT 166-8022-9101 Mil Spec	1133-4	19.3 (.76)	4.6 (.18)	13 (.51)	2.0 (.08)	44.4 (1.74)	16 (.63)	22 (.87)	1.0 (.04)	3.3 (.13)	1.5 (.06)	1.1 (.04)
-	1133-5	19 (.75)	6 (.24)	13 (.51)	2.0 (.08)	35.7 (1.40)	16 (.63)	12.7 (.50)	1.0 (.04)	3.3 (.13)	1.5 (.06)	1.1 (.04)

OPTIONAL FILLER PORT/DRAIN HOLES DETAIL				
SPEC.	PART NO.	RECOVERED DIMENSIONS		
		X	Y	Z
		±20%	±20%	±20%
-	1133-1	11 (.43)	6 (.24)	-
-	1133-2	11 (.43)	6 (.24)	-
-	1133-3	11 (.43)	6 (.24)	-
Mil Spec	1133-4	-	-	11.9 (.47)
-	1133-5	11 (.43)	6 (.24)	-

CODE & TYPE		RECOVERED HOLE DETAILS
P	FILLER PORT	HOLES 'A' & 'B' 'A' ø4.5mm NOM (.18) 'B' ø3.0mm NOM (.12)
P1	FILLER PORT (ALT)	HOLE 'A' ONLY 'A' ø4.5mm NOM (.18)
D	FILLER PORT (ALT)	HOLES 'C', 'D', 'E', 'F' AND 'G' ALL 5 HOLES ø3.05mm NOM (.12)

Heatshrinkable moulded shapes bulbous Right-Angle Shapes, VG style - HellermannTyton

For information only, not subject to technical changes.

3	P1345	C.M.	10/06/11
2	P1320	G.B.	10/09/10
1	P1197	S.Almond	17/04/08
ISSUE	NOTE No.	DRAWN	DATE

**HellermannTyton**

Pennycross Close, Plymouth, Devon, England  
Tel ++44 (0) 1752 701261 Fax ++44 (0) 1752 790058

NAME	S.Almond	SCALE	NTS	ADHESIVE	A3	SHT. 1
DATE	17/04/08	DIMS IN	mm (in)		ORIGINAL SHEET SIZE 420mm x 297mm	OF 1 SHTS.
TITLE	RIGHT ANGLE BOOT		1133	DRAWING No. 152096		