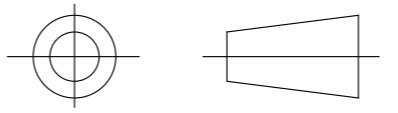


DRAWING No.
152133

SHT. 1
OF
1 SHTS.

© THE COPYRIGHT OF THIS DRAWING IS RESERVED BY HELLERMANN TYTON. IT IS ISSUED ON CONDITION THAT IT IS NOT COPIED, REPRODUCED OR DISCLOSED TO A THIRD PARTY EITHER WHOLLY OR IN PART WITHOUT THE CONSENT IN WRITING OF HELLERMANN TYTON.

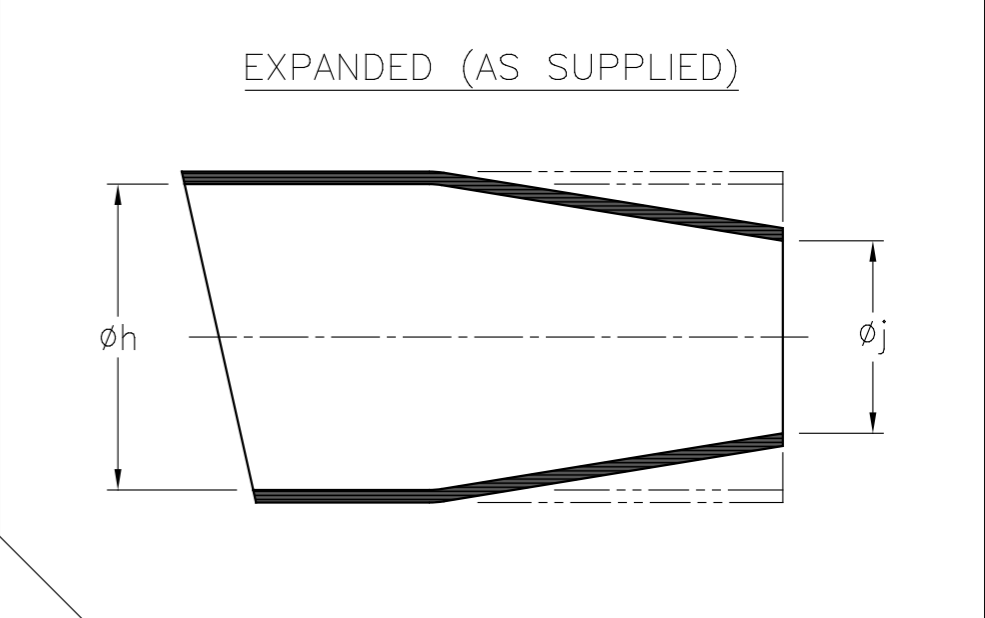
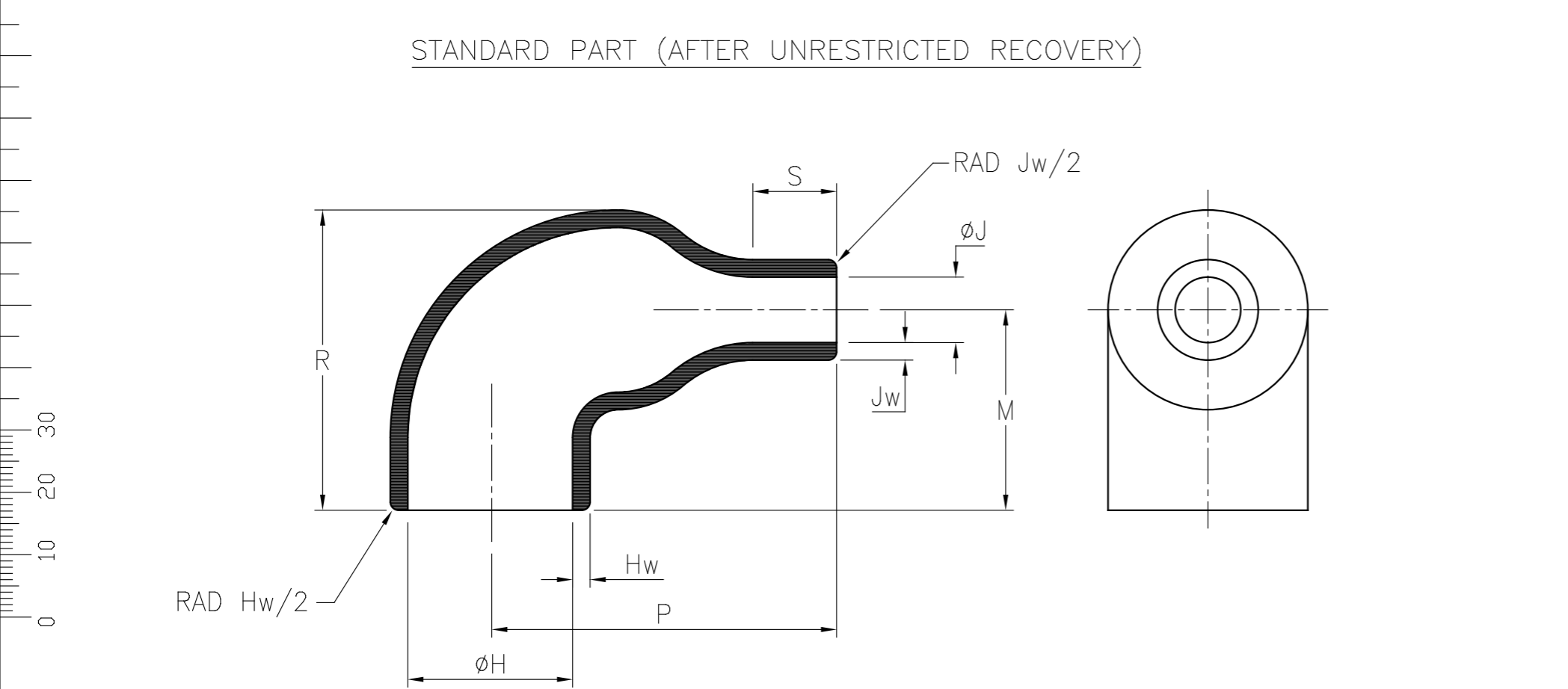
THIRD ANGLE PROJECTION



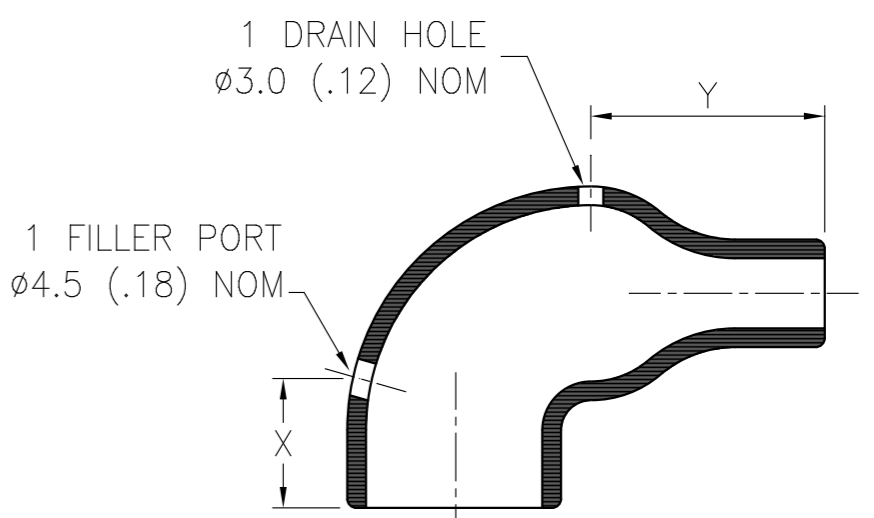
BS 8888

DO NOT SCALE
IF IN DOUBT ASK

Q.A.	H/S SETT
H/S Q.A.	REL. INSP.
H/S PROD	EXT. ISS. CODE



OPTION TO STANDARD PART
FILLER PORT (CODE P)



PART No.	EXPANDED DIAMETERS (AS SUPPLIED)		RECOVERED DIAMETERS		RECOVERED DIMENSIONS					
	øh	øj	øH	øJ	M	P	R	S	Hw	Jw
	MIN	MIN	MAX	MAX	NOM	±10%	±10%	NOM	±20%	±30%
1101-1	43.1 (1.70)	43.1 (1.70)	27.9 (1.10)	9.7 (.38)	27.9 (1.10)	53.3 (2.10)	43.2 (1.70)	15.7 (.62)	2.0 (.08)	2.0 (.08)
1101-2	38.1 (1.50)	22.8 (.90)	27.9 (1.10)	9.7 (.38)	27.9 (1.10)	53.3 (2.10)	43.2 (1.70)	15.7 (.62)	2.0 (.08)	2.0 (.08)

OPTIONAL FILLER PORT DETAIL		
PART No.	RECOVERED DIMENSIONS	
	X	Y
	±20%	±20%
1101-1	19 (.75)	33 (1.30)
1101-2	19 (.75)	33 (1.30)

2	P1389	CM	14/08/12
1	P1201	S.Almond	28/05/08
ISSUE	NOTE No.	DRAWN	DATE

HellermannTyton
William Prance Road,
Plymouth International Med. & Tech. Park,
Plymouth, PL6 5WR
Tel ++44 (0) 1752 701261
Fax ++44 (0) 1752 790058

NAME S.Almond SCALE NTS
DATE 28/05/08 DIMS IN mm (in)
TITLE RT. ANGLE SLEEVE (RIBLESS)

ADHESIVE
A3 ORIGINAL SHEET SIZE 420mm x 297mm
PART No. 1101
DRAWING No. 152133
SHT. 1 OF 1 SHTS.