

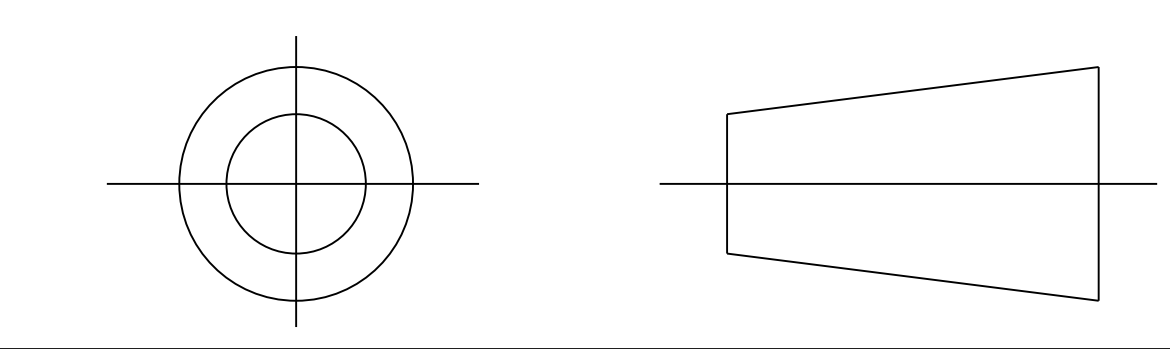
Heatshrinkable Moulded Shapes Bulbous Boots 3-Way Outlet HellermannTyton

DRAWING No.
152342

SHT. 1
OF
1 SHTS.

© THE COPYRIGHT OF THIS DRAWING IS RESERVED BY HELLERMANN TYTON. IT IS ISSUED ON CONDITION THAT IT IS NOT COPIED, REPRODUCED OR DISCLOSED TO A THIRD PARTY EITHER WHOLLY OR IN PART WITHOUT THE CONSENT IN WRITING OF HELLERMANN TYTON.

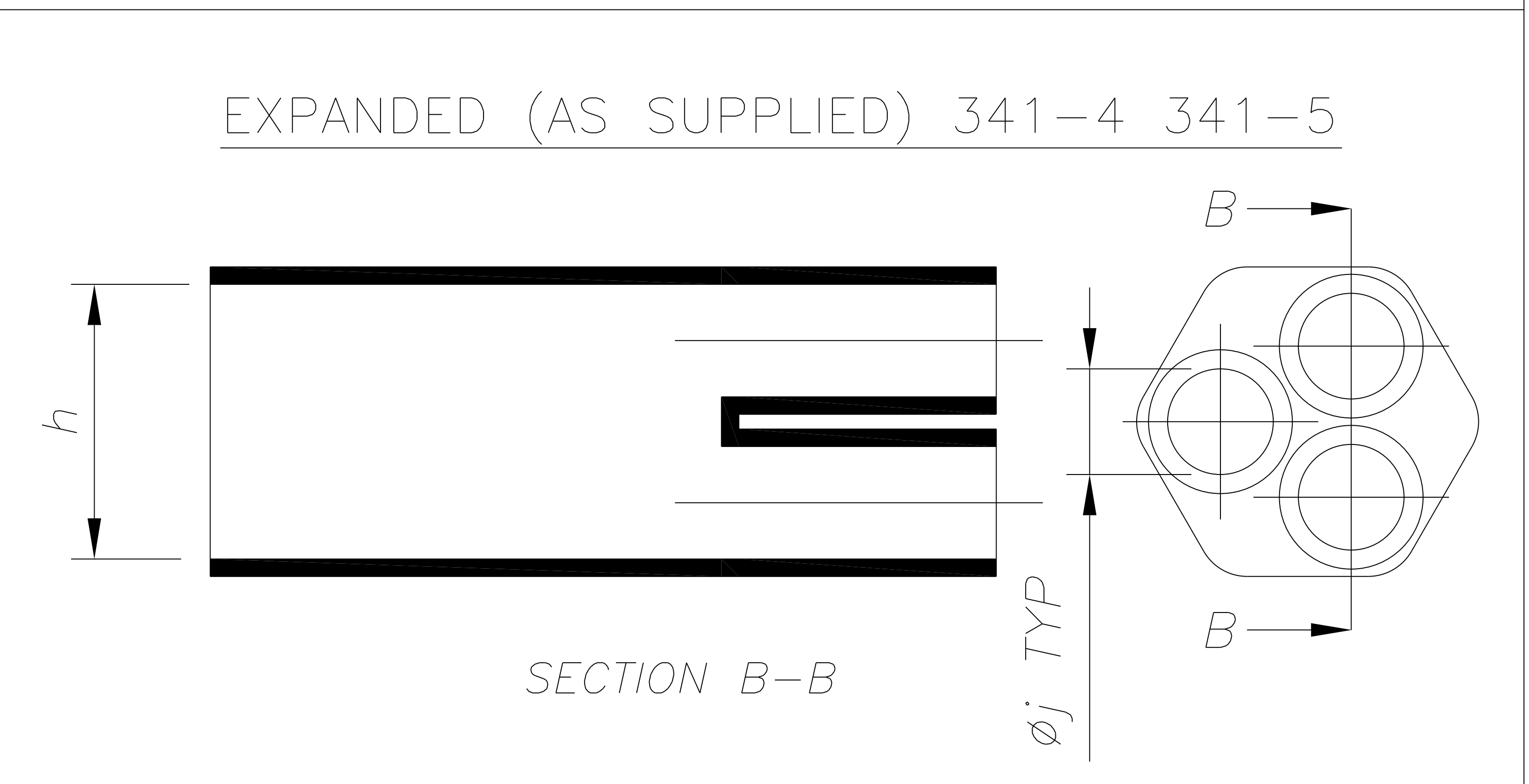
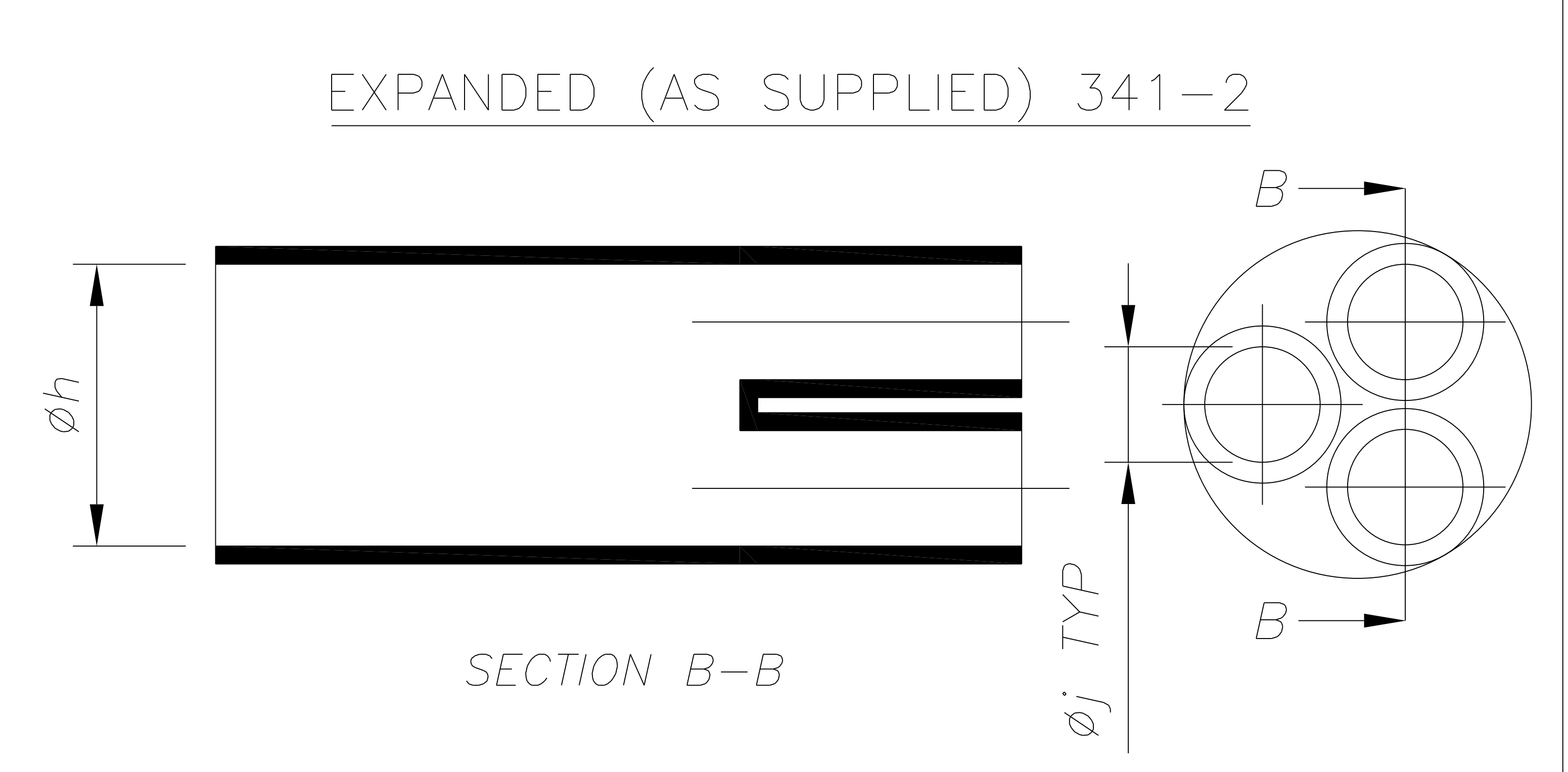
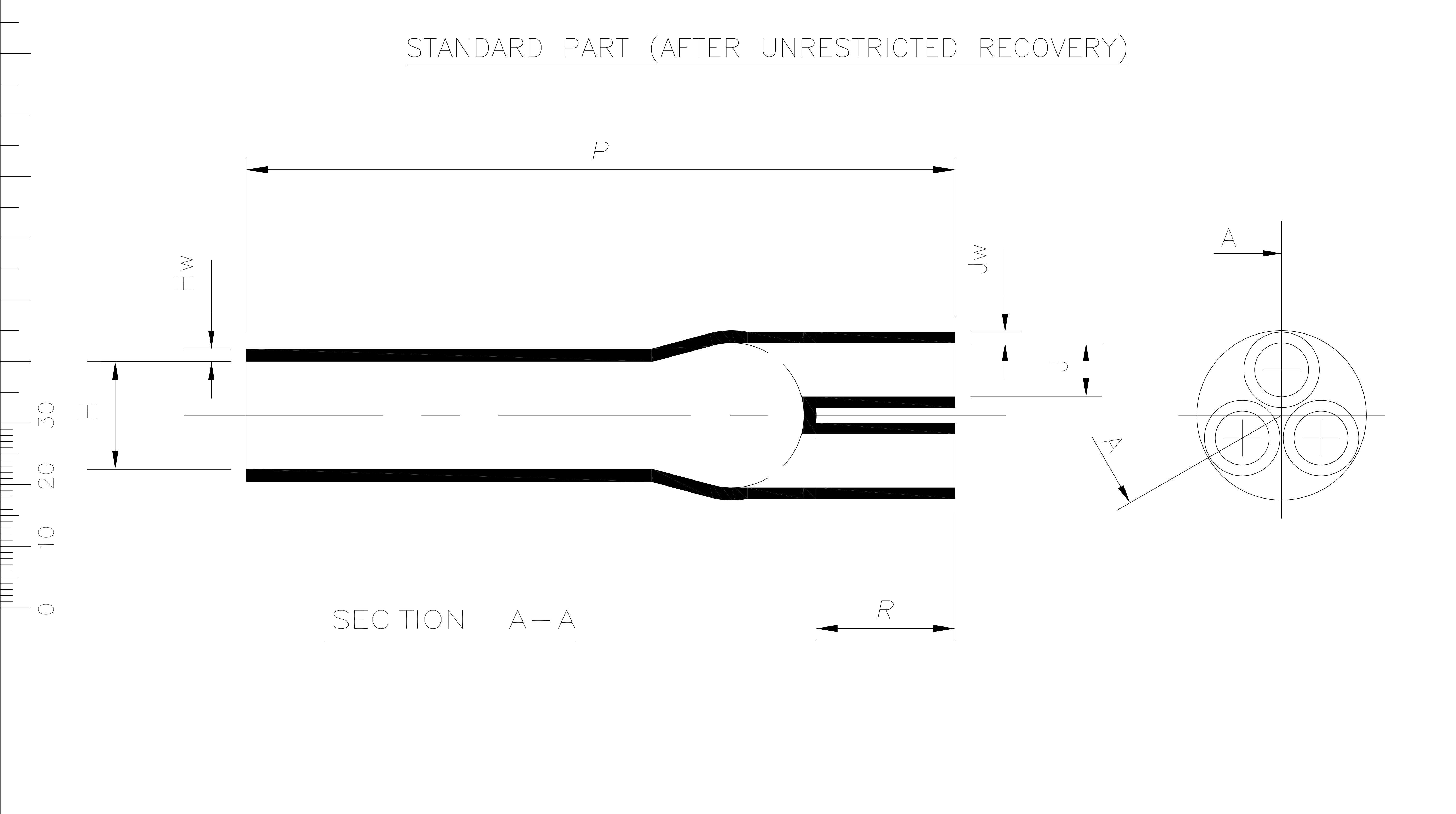
THIRD ANGLE PROJECTION



BS 8888

DO NOT SCALE
IF IN DOUBT ASK

Q.A.	H/S SETT
H/S Q.A.	REL. INSP.
H/S PROD	EXT. ISS. CODE ² / ₁₂



3M SPEC.	SPEC.	PART No.	EXPANDED DIAMETERS (AS SUPPLIED)		RECOVERED DIAMETERS			RECOVERED DIMENSIONS			
			øh	øj	øH	øJ	øS	P	R	Hw	Jw
			MIN	MIN	MAX	MAX	NOM	±10%	±10%	±20%	±20%
HDBB-345	NAVSEA 1A62-11	341-2	125.0 (4.92)	51.0 (2.01)	58.92 (2.32)	25.4 (1.00)	-	283.0 (11.14)	71.0 (2.80)	3.81 (0.15)	3.81 (0.15)
-	-	341-4	120.0 (4.72)	51.0 (2.01)	58.92 (2.32)	25.4 (1.00)	-	283.0 (11.14)	71.0 (2.80)	3.81 (0.15)	3.81 (0.15)
-	-	341-5	135.0 (5.32)	51.0 (2.01)	58.92 (2.32)	25.4 (1.00)	-	283.0 (11.14)	71.0 (2.80)	3.81 (0.15)	3.81 (0.15)

Heatshrinkable Moulded Shapes Bulbous Boots 3-Way Outlet HellermannTyton For information only, not subject to technical changes.

1	P1616	KH	05/12/17
ISSUE	NOTE No.	DRAWN	DATE

HellermannTyton
 William Prance Road,
 Plymouth International Med. & Tech. Park,
 Plymouth, PL6 5WR
 Tel ++44 (0) 1752 701261
 Fax ++44 (0) 1752 790058

NAME	KH	SCALE	NTS
DATE	23/11/2017	DIMS IN	mm (in)
TITLE	3 WAY OUTLET SLEEVE		

ADHESIVE	A3	SHT. 1 OF 1 SHTS.
PART No.	341	DRAWING No. 152342