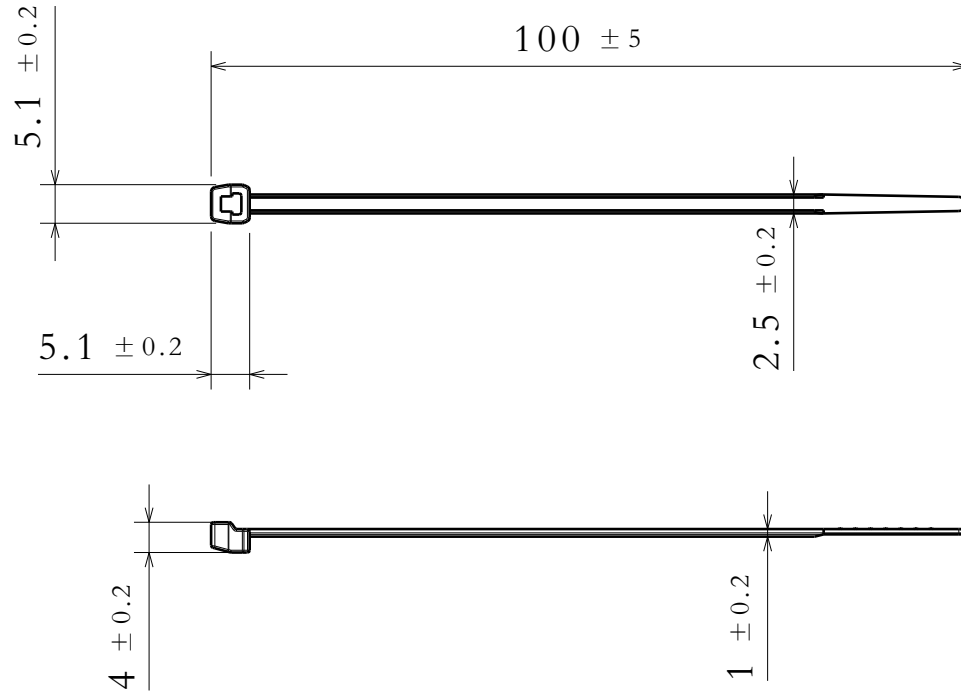


Revision NO 变更数	Revisions 变更项	Changed 修改者	Date 日期	Approved 确认者	Date 日期

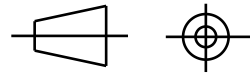


Bundle Dia  
捆绑直径  
1.6 TO 20

Tensile Strength  
Force  
环拉力  
80N

Material 材料  
PA66

CATIA V5



Drawn/制图	Ben lv	2018-12-24
Approved/审核	Kevin T	2018-12-24

Scale/比例 1:1

Dimension Units  
尺寸单位mm

The copyright of this drawing is reserved by HellermannTyton. it is issued on condition that it is not reproduced, copied or disclosed to a third party, either wholly or in part, without the consent of HellermannTyton.

PERFORMANCE  
性能  
SPECIFICATION  
标准

The copyright of this drawing is reserved by HellermannTyton. it is issued on condition that it is not reproduced, copied or disclosed to a third party, either wholly or in part, without the consent of HellermannTyton.

**HellermannTyton**  
 海尔曼太通（无锡）电器配件有限公司  
 (WUXI) Electrical Accessories Co.,Ltd.  
 Tel:+86-510-5282536  
 Fax:+86-510-5280112

Title/品名  
**T18ROS**

Drawing-No/图号	Format/格式
02-0459-001-CSC	A4