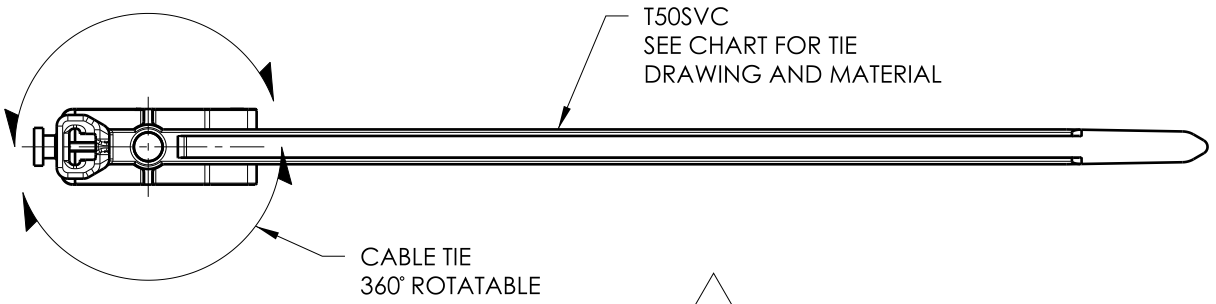


Revision Level			Revision Record	Changed	Date	Approved	Date
Drawing	State	Part					
07.2	Design Release	-	SEE ECN# 014287	KVH	1/31/18	CJR	2/6/18

07.2



07.2

(155.24)

07.2

18.34 ±0.50

(33.94)

07.2

FOR CABLE
Ø10 - 14mm

OC10-14
SEE CHART FOR CLIP
DRAWING AND MATERIAL

07.2

TYPE	BUNDLE RANGE	CABLE TIES		MOUNT	
		DRAWING	MATERIAL	DRAWING	MATERIAL
T50SVCOC10-14	2 TO 35	14-0606-001-CSU	PA66HS	05-0044-002-CSU	PA66HIRHS

Material
SEE CHART
COLOR: BLACK

07.2

Units millimeters

Tolerance defined on each dimension

The copyright of this drawing is reserved by HellermannTyton. It is issued on condition that it is not reproduced, copied or disclosed to a third party, either wholly or in part, without the consent of HellermannTyton.

Drawn	AAC	10/24/14
Approved	KAC	10/24/14
HellermannTyton		
North America Email: corp@htamericas.com Web: www.hellermann.tyton.com		

Article/Type-No SEE CHART

Title T50SVC CABLE TIE WITH OMEGA CLIP 10-14

Drawing-No PRODUCTION : Phase

05-0044-004-CSU

Scale 1:1

Project Number NT044-05

Format AH

Sheet 1/1