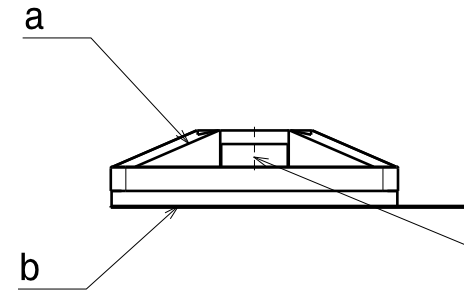
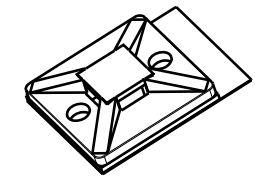
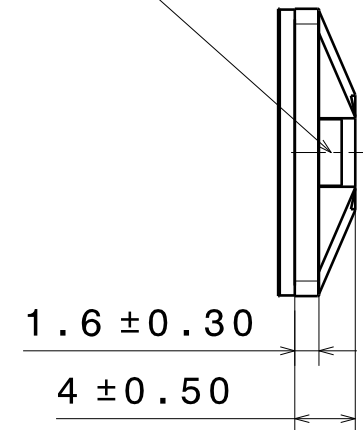
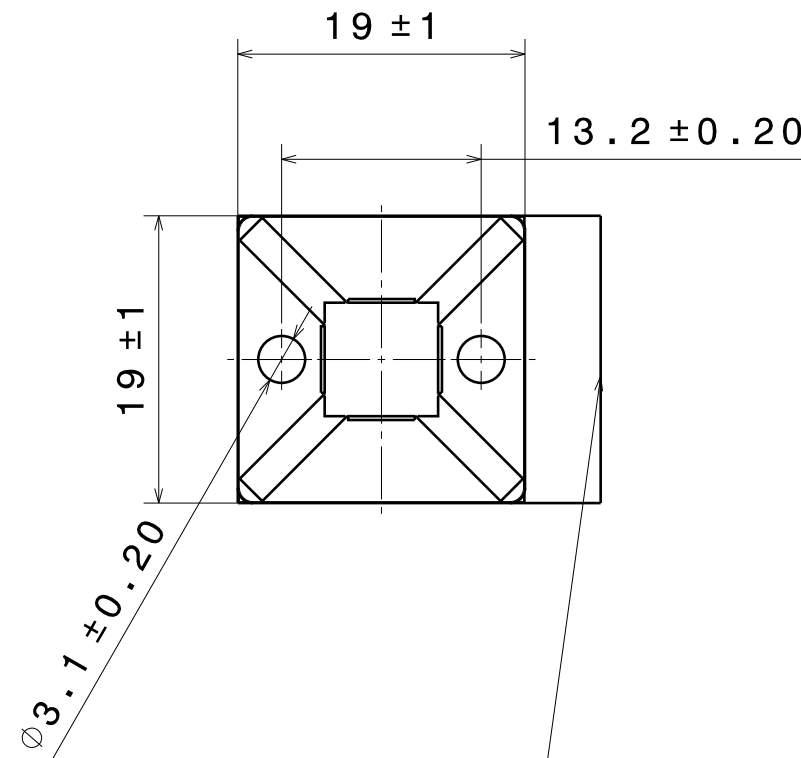


Revision NO 变更数	Revisions 变更项	Changed 修改者	Date 日期	Approved 确认者	Date 日期



retainer for cable tie
(1.2x4.4 mm)



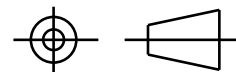
oneside overlaying adhesive protection film
(position at manufactures discretion)

Material/材料:

a:
PA66

b:
SolidTack self adhesive
pad (Acrylate PX)

CATIA V5



Drawn/制图	Brandon Li	2018-04-02
Approved/审核	Kevin Tang	2018-04-02

Scale/比例 NO / 无

Title/品名

MB3APT-A

Dimension Units/尺寸单位
mm

The copyright of this drawing is reserved by
HellermannTyton.it is issued on condition that it is not
reproduced,copied or disclosed to a third party,either
wholly or in part,without the consent of
HellermannTyton.

HellermannTyton
海尔曼太通 (无锡) 电器配件有限公司
(WUXI) Electrical Accessories Co.,Ltd.
Tel:+86-510-5282536
Fax:+86-510-5280112

Drawing-No/图号
11-0679-003-CSC

Format/格式
A3

PERFORMANCE/性能
SPECIFICATION/标准