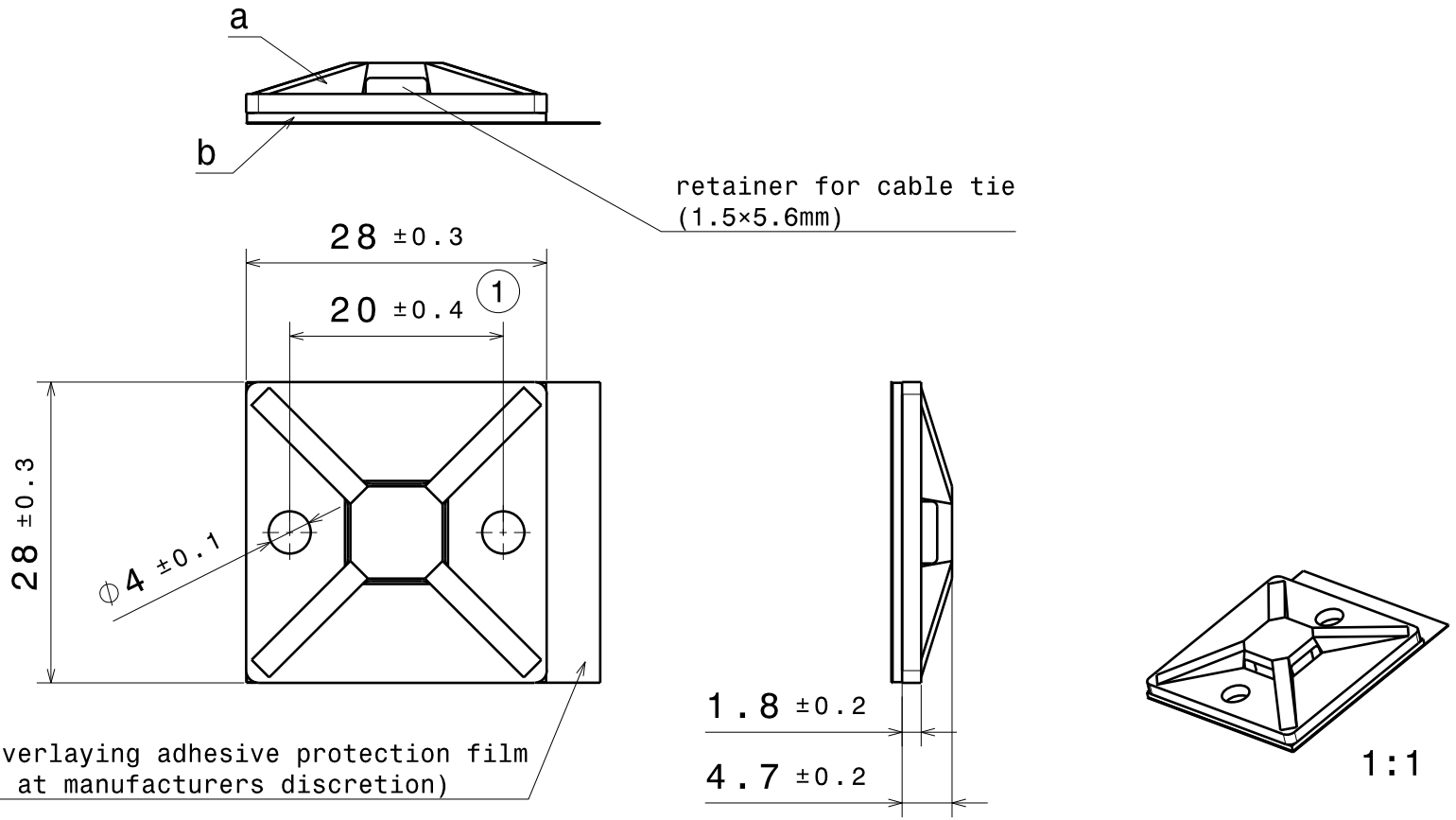


Revision NO 变更数	Revisions 变更项	Changed 修改者	Date 日期	Approved 确认者	Date 日期
①	Changed toerlance from ±0.2 to ±0.4	Robert.Zhu	20180510	Kevin.Tang	20180510

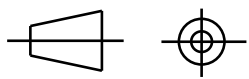


Material 材料

a:
PA66

b:
SolidTack self
adhesive
pad(Acrylate PX)

CATIA V5



Drawn/制图	Robert.Zhu	2018-03-22
Approved/审核	Kevin.Tang	2018-03-22

Scale/比例	1:1
Title/品名	

Dimension Units
尺寸单位mm

The copyright of this drawing is reserved by
HellermannTyton.

PERFORMANCE
性能
SPECIFICATION
标准

it is issued on condition that it is not
reproduced,copied or disclosed to a third
party,either wholly or in part, without the
consent of
HellermannTyton.

HellermannTyton
 海尔曼太通（无锡）电器配件有限公司
 (WUXI) Electrical Accessories Co.,Ltd.
 Tel:+86-510-5282536
 Fax:+86-510-5280112

MB4APT-A	
Drawing-No/图号	Format/格式
16-0218-003-CSC	A4