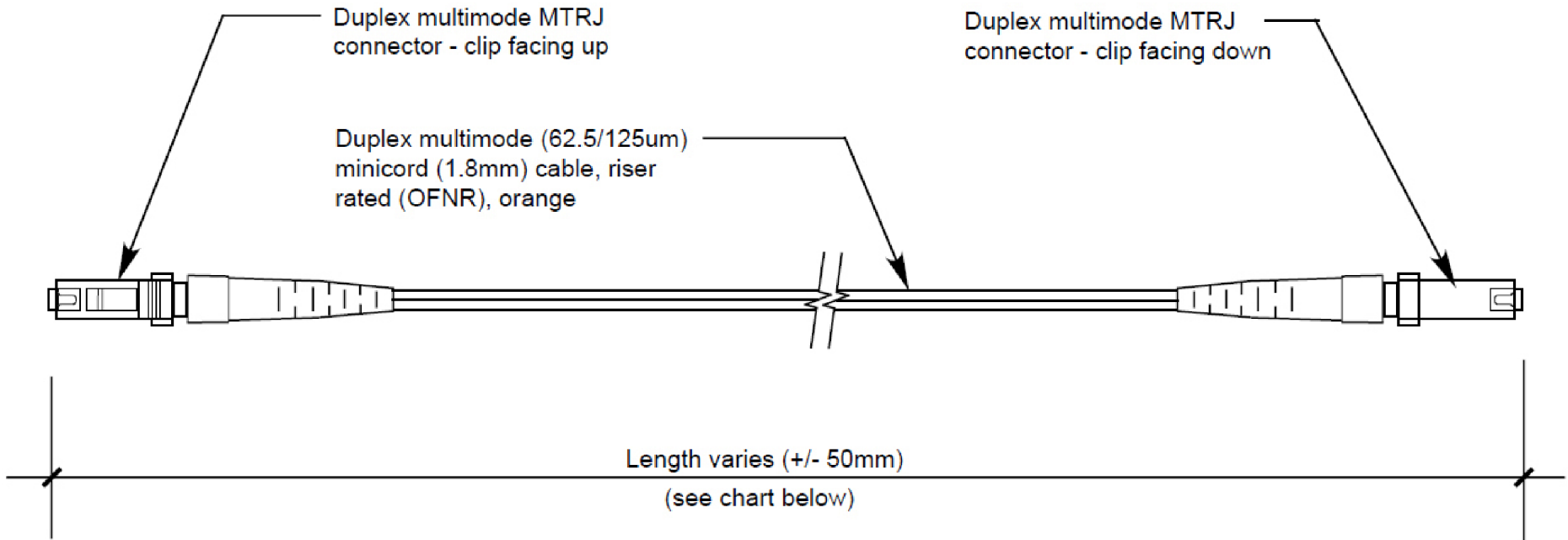


SW2014



Revision level			Revision Record	Changed	Date	Approved	Date
Drawing	State	Part					
00.0	Design Release		SEE ECN# 013460	GRW	5/31/2016	KAC	5/31/2016



**Multimode Duplex MTRJ to MTRJ Fiberoptic Cable Assembly**

NOTES: 1) Test all (100%) connectors for Insertion Loss (I.L.).  
I.L. to be 0.40dB or better measured with a 850 nm source

Type #	Length	Article #
FA1MTMT	1 meter	855-34203
FA2MTMT	2 meter	855-34216
FA3MTMT	3 meter	855-34229

Material  
ASSEMBLED

Units: **millimeters**  
Dimension without tolerances details to:  
.XXX = ±.013  
.XX = ±.13  
.X = ±.3  
None = ±.8  
∠ = ±0.5°  
Dimension Formatted mm/[in]

The copyright of this drawing is reserved by HellermannTyton. It is issued on condition that it is not reproduced, copied, or disclosed to a third party, either wholly or in part, without the consent of HellermannTyton.

Drawn	GRW	5/28/2016
Approved	KAC	5/28/2016
North America Email: corp@htamericas.com Web: www.hellermann.tyton.com		

Article/Type-No	FA_MTMT
Title	<b>MULTIMODE DUPLEX MT-RJ TO MT-RJ FIBER CABLE</b>
Drawing-No	PRODUCTION : Phase <b>16-0383-001-CSU</b>

Scale 1:1  
Project Number PRP 16-0383  
Format AH  
Sheet 1/1