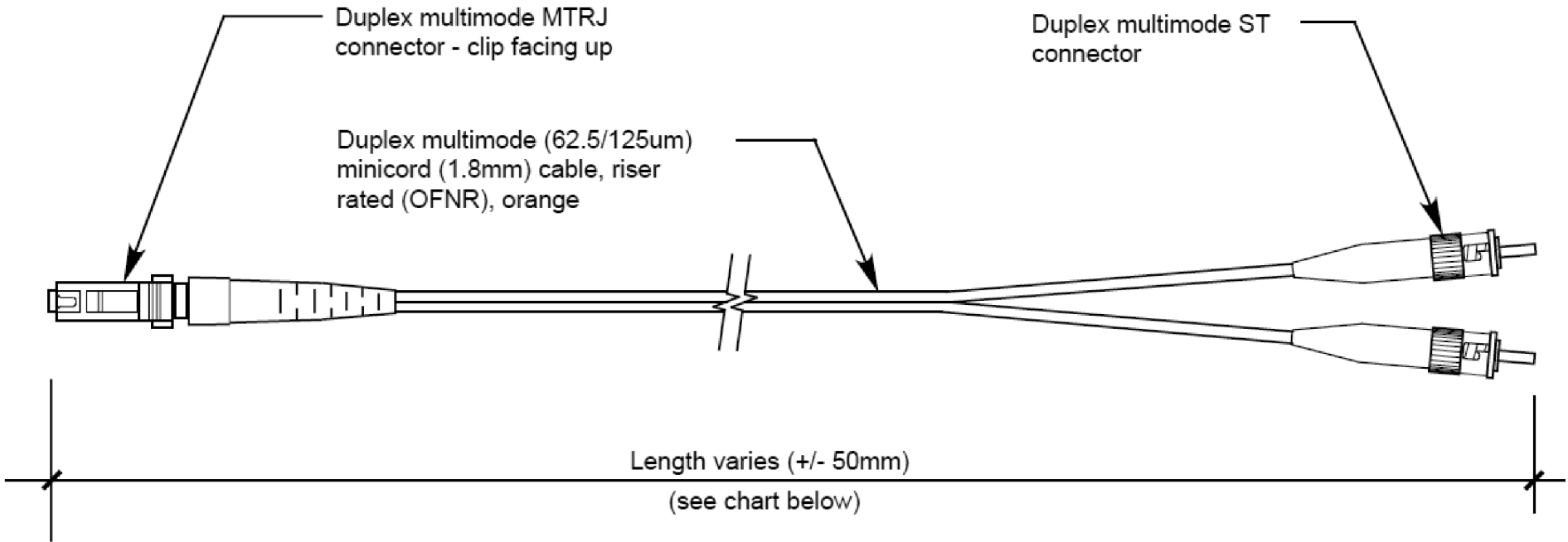


SW2014



Revision level			Revision Record	Changed	Date	Approved	Date
Drawing	State	Part					
00.0	Design Release		SEE ECN# 013460	GRW	5/31/2016	KAC	5/31/2016



**Multimode Duplex MTRJ to ST Fiber optic Cable Assembly**

NOTES: 1) Test all (100%) connectors for Insertion Loss (I.L.).  
I.L to be 0.40dB or better measured with a 850 nm source

Type #	Length	Article #
FA1MTST	1 meter	855-34205
FA2MTST	2 meter	855-34218
FA3MTST	3 meter	855-34232

Material <b>ASSEMBLED</b>	Units: <b>millimeters</b>	The copyright of this drawing is reserved by HellermannTyton. It is issued on condition that it is not reproduced, copied, or disclosed to a third party, either wholly or in part, without the consent of HellermannTyton.	Drawn	GRW	5/28/2016	Article/Type-No FA_MTST	Scale	1:1	
	Dimension without tolerances details to: .XXX = ±.013 .XX = ±.13 .X = ±.3 None = ±.8 ∠ = ±0.5° Dimension Formatted mm/[in]		Approved	KAC	5/28/2016		Title	<b>MULTIMODE DUPLEX MT-RJ TO ST FIBER CABLE</b>	Project Number
	 North America Email: corp@htamericas.com Web: www.hellermann.tyton.com			Drawing-No		PRODUCTION : Phase	Format	AH	
				<b>16-0385-001-CSU</b>		Sheet	1/1		