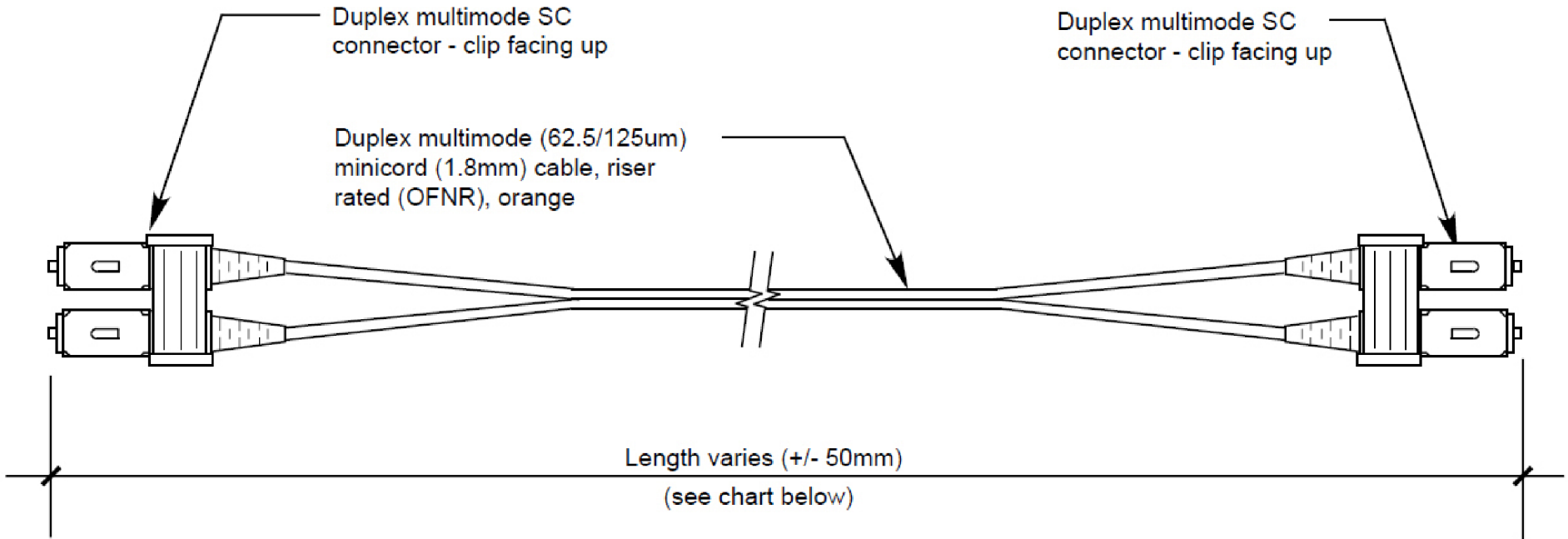


SW2014



Revision level			Revision Record	Changed	Date	Approved	Date
Drawing	State	Part					
00.0	Design Release		SEE ECN# 013460	GRW	5/31/2016	KAC	5/31/2016



Multimode Duplex SC to SC Fiber optic Cable Assembly

NOTES: 1) Test all (100%) connectors for Insertion Loss (I.L.).
I.L to be 0.40dB or better measured with a 850 nm source

Type #	Length	Article #
FA1SCSC	1 meter	855-34206
FA2SCSC	2 meter	855-34219
FA3SCSC	3 meter	855-34233

Material ASSEMBLED	Units: millimeters	The copyright of this drawing is reserved by HellermannTyton. It is issued on condition that it is not reproduced, copied, or disclosed to a third party, either wholly or in part, without the consent of HellermannTyton.	Drawn	GRW	5/28/2016	Article/Type-No	FA_SCSC	Scale	1:1
	Dimension without tolerances details to: .XXX = ±.013 .XX = ±.13 .X = ±.3 None = ±.8 ∠ = ±0.5° Dimension Formatted mm/[in]		Approved	KAC	5/28/2016	Title	MULTIMODE DUPLEX SC TO SC FIBER CABLE	Project Number	PRP 16-0386
	 North America Email: corp@htamericas.com Web: www.hellermann.tyton.com			Drawing-No	PRODUCTION : Phase		Format	AH	
				16-0386-001-CSU			Sheet	1/1	