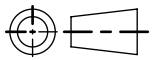
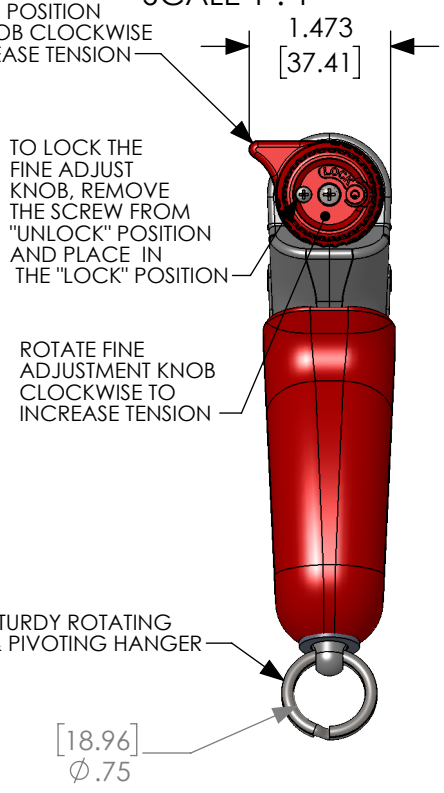
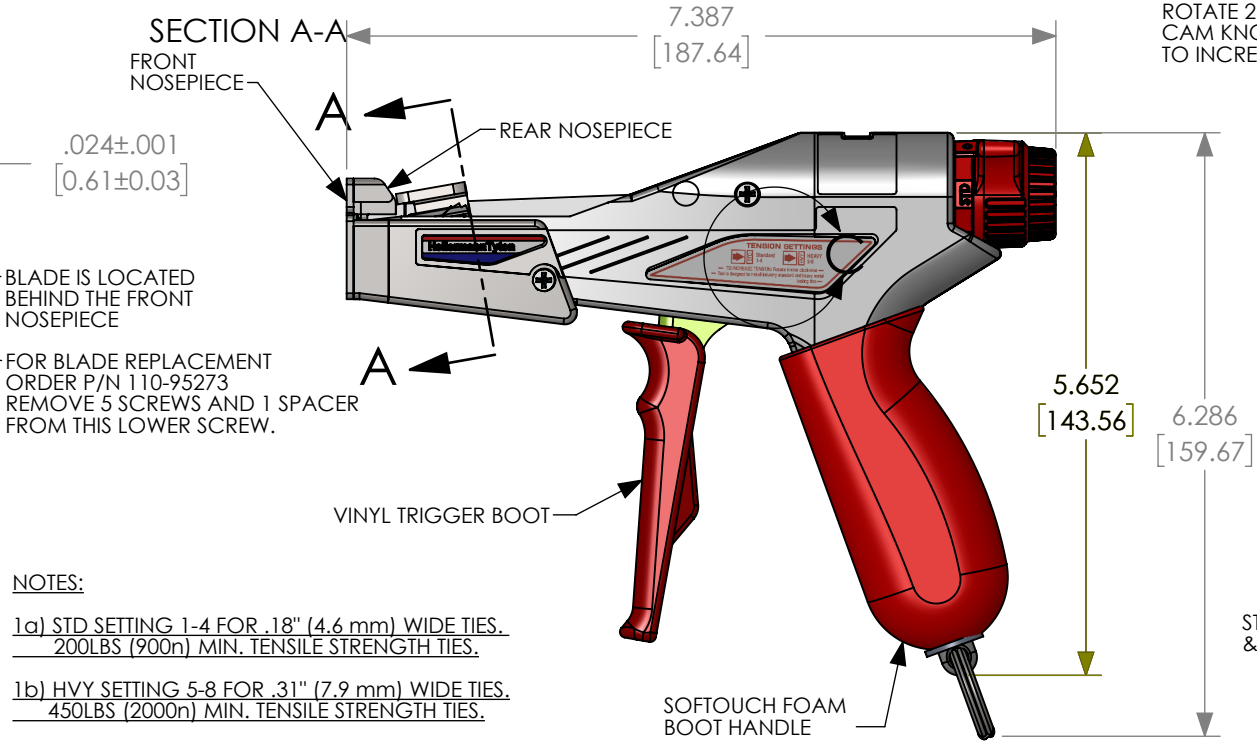
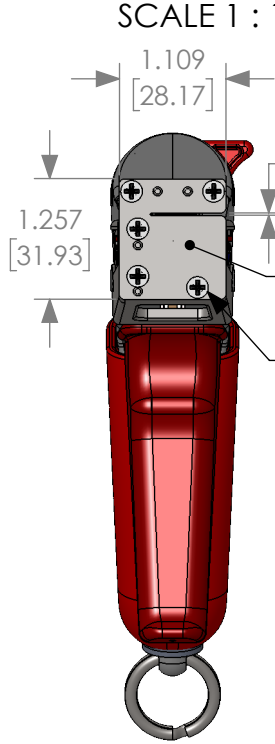
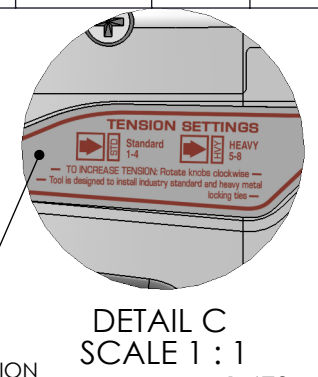
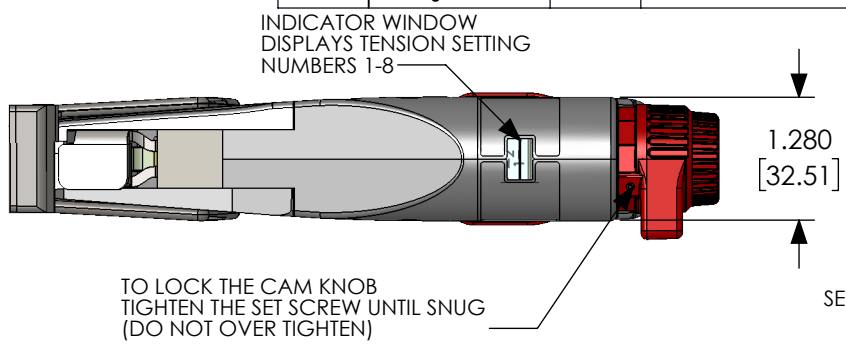
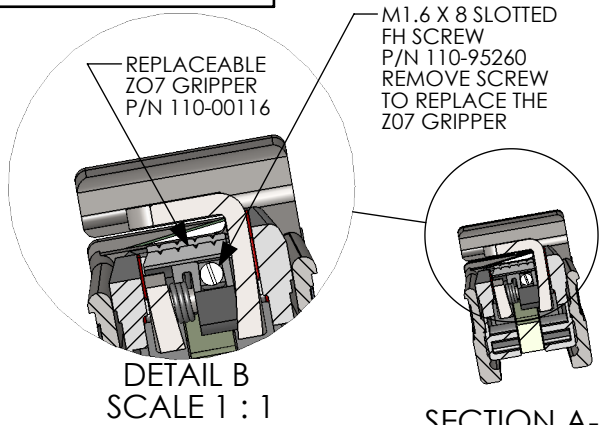


SW



Revision level			Revision Record	Changed	Date	Approved	Date
Drawing	State	Part					
00.1	Design Release		SEE ECN# 300337	MRG	08-27-2018	MRG	08-27-2018



**NOTES:**

- 1a) STD SETTING 1-4 FOR .18" (4.6 mm) WIDE TIES. 200LBS (900n) MIN. TENSILE STRENGTH TIES.
- 1b) HVY SETTING 5-8 FOR .31" (7.9 mm) WIDE TIES. 450LBS (2000n) MIN. TENSILE STRENGTH TIES.
- 2) MAXIMUM CUTOFF CABLE TIE WIDTH .63" (16mm).
- 3) TOOL WEIGHT: 18 OZ. (510 G)

LEGACY PN: MK9SST

Material	Units: inches	The copyright of this drawing is reserved by HellermannTyton. It is issued on condition that it is not reproduced, copied, or disclosed to a third party, either wholly or in part, without the consent of HellermannTyton.	Drawn	WKL	12-16-2013	Article/Type-No	110-95000	Scale	1:2		
	Dimension without tolerances details to: .xxxx = ±.0005 .xxx = ±.005 .xx = ±.01 .x = ±.03 None = ±.06 ∠ = ±0.5° Dimension Formatted in[mm]		Approved			Title	MK9SST FINAL ASSEMBLY CUSTOMER DRAWING		Project Number	PRP 2077	
	<b>HellermannTyton</b> North America Email: corp@htamericas.com Web: www.hellermann.tyton.com			Drawing-No	Production : Phase		2077-370-CSU		Format	AH	
						Sheet	1/1				